

# CUR

**ALUTECH**   
GROUP OF COMPANIES



Receiver  
OPERATION MANUAL

English

Радиоприймач  
РУКОВОДСТВО ПО ЭКСПЛУАТАЦИИ

Русский

Funkempfänger  
BEDIENUNGSANLEITUNG

Deutsch

Récepteur radio  
NOTICE

Français

Odbiornik radiowy  
INSTRUKCJA OBSŁUGI

Polski

Радіоприймач  
ІНСТРУКЦІЯ З ЕКСПЛУАТАЦІЇ

Українська

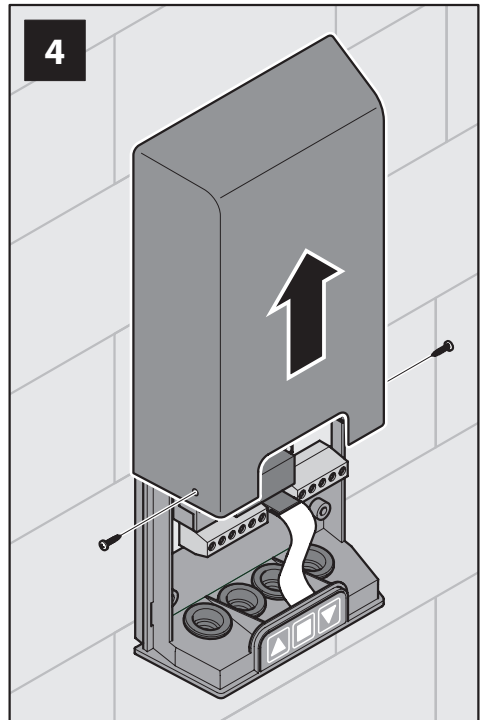
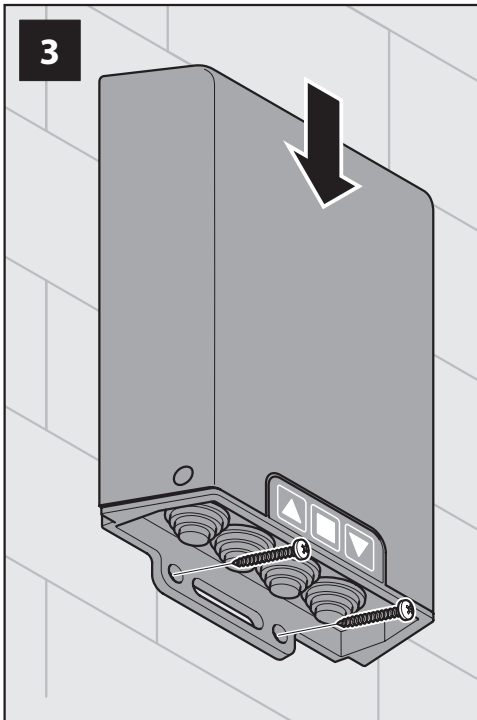
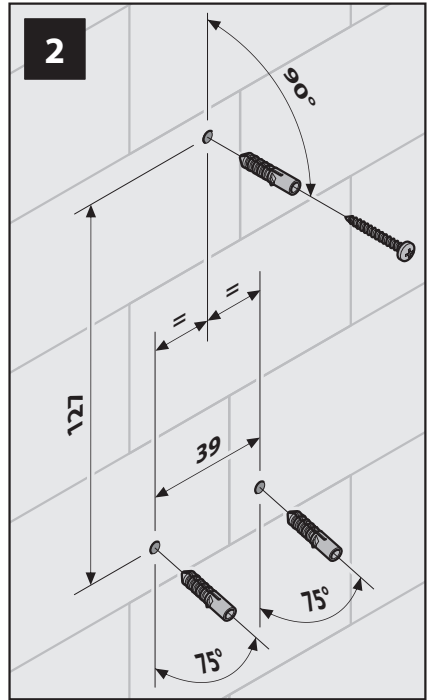
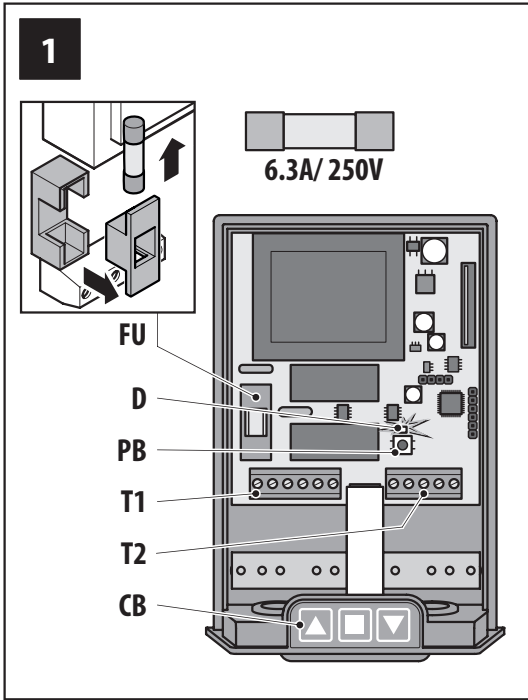


[www.alutech-group.com](http://www.alutech-group.com)

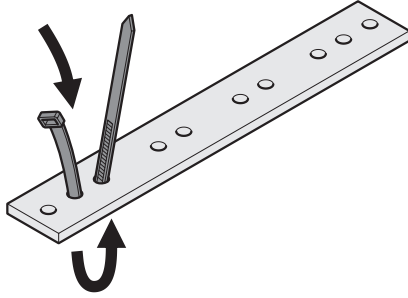


EAC

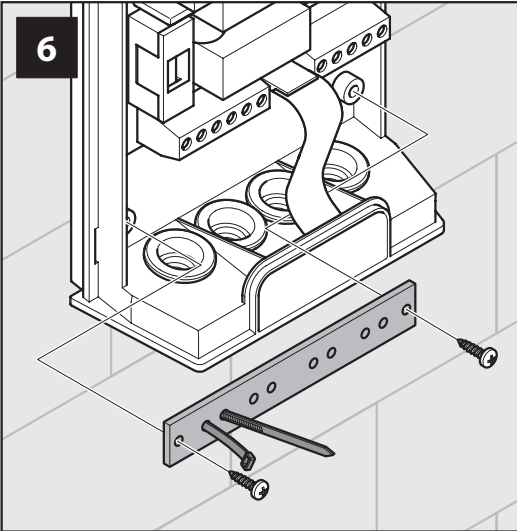
CE



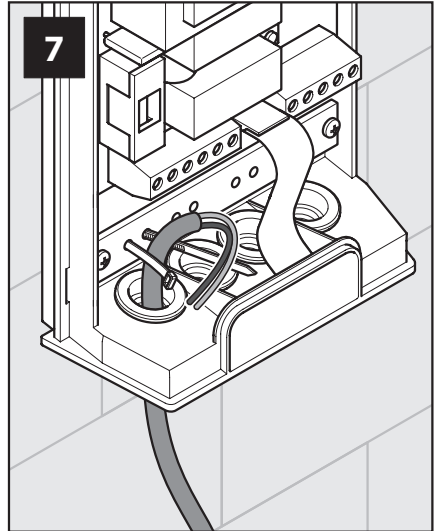
5



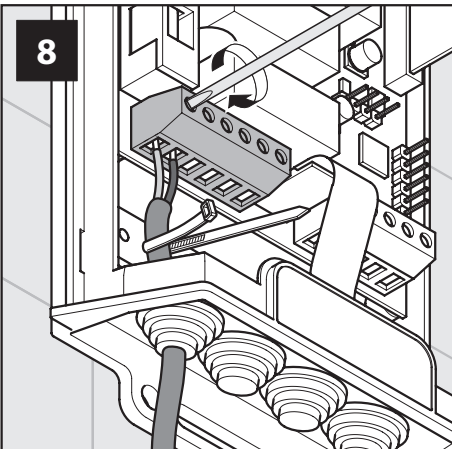
6



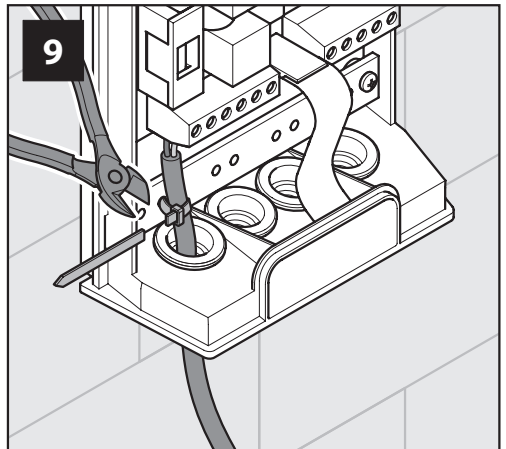
7



8

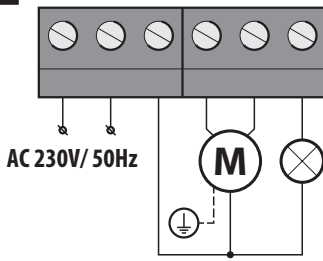


9



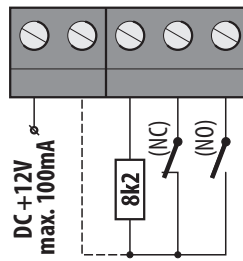
**10**

L N N L1 L2 FL



AC 230V/ 50Hz

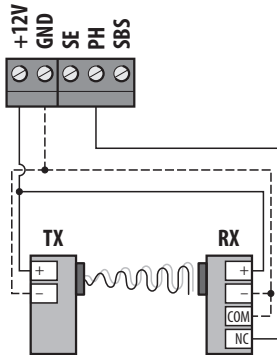
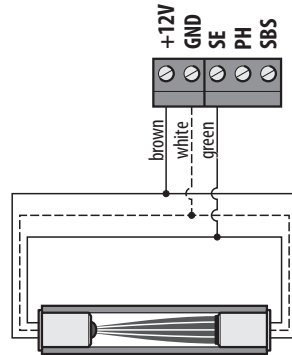
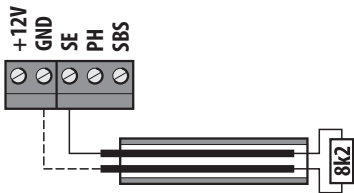
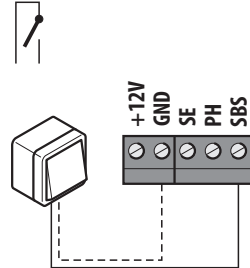
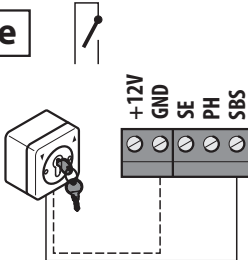
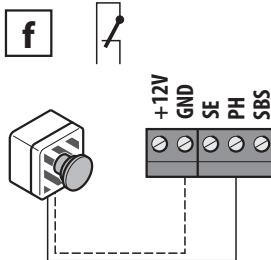
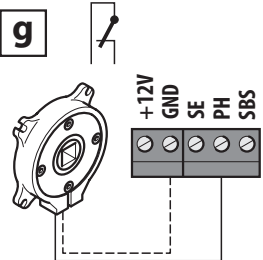
+12V GND SE PH SBS

DC +12V  
max. 100mA

AC 230V/ 1500W max.



230V/ 100W max.

**a****b****c****d****e****f****g**

## 1. GENERAL INFORMATION AND SAFETY INSTRUCTIONS

Before installation, please read carefully all the information below and follow all the instructions in the manual. Save this manual for future reference.

The contents of the manual may not serve as a basis for legal claims.

Unauthorized changes to the product or improper use are not allowed. Intended use includes compliance with the prescribed operating rules in the manual and legal regulations in the installation region.

The product is not intended for use and storage in acid, saline or explosive environments.

When carrying out work (installation, repair, maintenance, cleaning, etc.), disconnect the product from the mains.



*Please observe the safety instructions specified in the legal regulations applicable in the region where the product is installed. When operating with automatic closure, it is necessary to comply with the standard EN 12453 for safety devices in the region of operation. Qualified personnel must ensure that after a roller shutter system is commissioned, the standards in force in the region, for example, EN 13659 standards for roller shutters or EN 12635 for gates, are in force.*

Radio control is allowed only for installation conditions in which radio interference in the transmitter or receiver does not cause danger to people, animals or objects, or other protective devices prevent the risk.



*Remote control is associated with the risk of injury, and should be performed only with direct visual observation of the movement of the roller shutter.*

*The remote control should be stored in such a way as to exclude accidental activation, including by children or animals.*

The product is not protected from interference from other radio devices (for example, radio installations operating in the same frequency band).

## 2. INTRODUCTION

Receiver **CUR** (control unit) is designed to control tubular motors of roller shutter systems protecting window, door and gate openings with the help of buttons on the case or by means of **ALUTECH** remote controls. It is permissible to connect additional control and safety devices to the product, such as pushbutton switches, key switches, photocells, optical and resistive safety edges.

## 3. TECHNICAL DATA

Please select the optimal model of tubular motor depending on the power of the product, in accordance with the requirements of instructions and recommendations of **ALUTECH**. If necessary, contact the Supplier for advice.

### Technical data

Power supply voltage / Frequency	~230V (+10%, -15%) / 50Hz
Maximum power consumption in standby mode (without additional devices connected)	1.5W
Maximum motor output	1500W
Flashing lamp power supply	~ 230V / max. 100W
Power supply of additional devices (accessories)	12V DC / max. 100mA
ALUTECH radio frequency	433.92MHz
Number of storable remote controls	250
Protection rating	IP54
Operating temperature	-20°C ... +50°C
Power supply cable section	max. 2.5mm <sup>2</sup> (22-14AWG)
Additional devices cable section	
Dimension (W x H x D)	150 x 100 x 38mm
Weight	<0.3kg

*These specifications refer to an ambient temperature of 20°C (±5°C) and a supply voltage of 230V/50Hz.*

## 4. MOUNTING AND WIRING

Mounting should be carried out in accordance with the requirements listed below and in the order indicated in the illustrative part of the manual, see pages 2-3.

The given instructions should be treated as an example, as the installation location of the product and its components may differ. The installer's task is to select the most suitable solution.

Connect the devices to the control unit terminals according to the wiring diagram (Figure 10).

If the direction of rotation of the actuator output shaft does not match the required direction, disconnect the power supply and exchange the connection wires on the terminals «L1» and «L2» (Figure 10).

The installation site must be able to receive radio signals of good quality (there are no shielding or reflective surfaces or other sources of radio emission). The distance between adjacent control units should be not less than 300 mm.

Several motors must not be connected in parallel to the control unit.

Do not shorten or extend the antenna.

Let the mounting, startup and maintenance work be carried out by a competent person (in accordance with EN 12635) in the area in which it is installed and operated according to the guidelines in this manual. Observe EN 12604 and EN 12635 as well as other legal regulations in the area in which they apply.



*Only qualified personnel in accordance with the legal acts of the region where the product is being installed should carry out installation, wiring and commissioning. For example, safety instructions EN 60335-2-97 or installation guidelines of the Association of German Electrical Engineers (VDE 0100). Qualified personnel must ensure that after the roller shutter system has been put into operation, the standards in force in the region are met, for example, the EN13659 standard for roller shutters or EN 12635 for the roller gate.*

The parameters of electrical cables used (cross section, number of wires, etc.) must correspond to the wiring diagram, device power, installation distance, installation method and environmental conditions.

When using the product outside (outdoors), the electrical cables must have special protective covers. Cables routed through a metal partition wall must be protected and isolated.



*Use the product with care during installation process: protect it from impact, fall or contact with liquids of any type. Do not place the device near heat sources or place near an open flame. The situations described above may damage the product, cause malfunctions or lead to danger. If one of the situations described above occurs, immediately stop the assembly process and contact the service Supplier.*

The product must be located within direct sight of the roller system, at a safe distance from moving parts, at a height of at least 1.5m. Make sure that the installation sites of the control unit and additional devices (accessories) are protected from impacts and the installation surfaces are strong enough.



*WARNING! The electrical network must be equipped with protective grounding. The electrical network to which the product is connected must be equipped with a protective device in accordance with the regulations in the region. Connect the ground wire of the motor to the protective ground of the electrical network. The distance between the terminals in the disconnecting device is at least 3mm.*

When performing any work (installation, repair, maintenance, cleaning, etc.), disconnect the power circuit. If the switching device that turns off the power is out of sight, attach the label: «Do not turn on! People are working» and take measures that exclude the possibility of erroneous voltage supply.

### Connecting control devices

For control, devices with a «normally open contact» (Figures 10d, 10e) are connected to the «SBS» and «GND» control unit terminals: buttons, switches, external receivers, etc. The control is carried out in the sequence: «open - stop - close - stop - open - ...». If several control devices are installed, they must be connected in parallel.



*Do not apply voltage to the «SBS» terminal!*

### Connection of safety devices - photocells and emergency switch



*The selection of the safety devices (operating logic of the «PH» and «SE» connection inputs) in the control unit settings (see Section 5) must correspond to the connected safety device types!*

To stop the roller shutter during opening and closing, devices with a «normally closed contact» are connected to the «PH» and «GND» terminals (Figures 10a, 10f, 10g). If devices are connected, they must be connected in series.

In order to provide safety during closing, photocells are connected (Figure 10a). The receiver output circuit (RX) must be connected to the «PH» and «GND» terminals. The power supply circuits of the receiver (RX) and the transmitter (TX) of the photocells are connected to the terminals «+12V» and «GND» with the rated voltage of 12V DC. The maximum current value for all devices connected to the terminals «+12V» should not exceed 100mA.

During closing, the operation of the photocells causes the movement to stop and then the curtain is completely raised, and the operation of the photocells again causes the curtain movement to stop. During opening, the operation of the photocells causes the curtain to stop moving.

If several pairs of photocells are installed, they must be connected in series with each other in the output circuit to the terminals «PH» and «GND» and in parallel to the power supply circuit to the terminals «+12V» and «GND».

For emergency stop of the curtain during opening and closing, an emergency switch and a safety brake can be connected to the «PH» and «GND» terminals (Figures 10f, 10g). If several emergency devices are installed, they must be connected in series with each other.



*If no device is connected to terminals «PH» and «GND», then a jumper must be installed. If safety devices are connected to terminals «PH» and «GND», then remove the jumper.  
Do not apply voltage to the «PH» terminal!*

### Connection of safety devices - optical or resistive safety edges

To ensure safety during down movement of the curtain (against squeezing or jamming), a safety sensor of the lower edge of the curtain (safety edge system) is connected to the «SE» input: an 8.2kΩ resistive sensor (Figure 10c) or an optoelectronic sensor/optosensors of the OSE system - Signal 12 (Figure 10b).

During the closing of the curtain, the activation of an optoelectronic or resistive sensor causes a stop of movement and the subsequent full lifting of the curtain.



*If the bottom edge safety sensor is not connected, then a resistor of 8.2kΩ ± 5% must be connected to the «SE» and «GND» terminals and the operating mode with a resistive sensor must be selected in the device safety settings (see Section 5). If the bottom edge safety sensor is connected, the resistor should be removed.*

### Connection of safety devices - warning lights

To signal the movement of the web, a flashing light is connected to the «FL» and «N» terminals (Figure 10) 230V / max. 100W, **ALUTECH** warning lights are recommended. Flashing light output works without «flashing mode».

## 5. SELECTION OF SAFETY DEVICE OPERATING MODES

For the operation of the safety devices connected to the inputs «PH» and «SE» (see Section 4), you must select the operating modes of the inputs in the settings of the control unit.

Procedure	LED D
Press the PB programming button (Figure 1)	lights green with a short blink
Press the ■ key on the CB keypad  (Press the button ■ as many times as necessary to select the required operating mode of the connected safety devices to the inputs «PH» and «SE»)	rarely flashes red:  Single - set the STOP mode for the «PH» input and the 8.2kΩ resistive sensor for the «SE» input (factory setting)  twice - set the STOP mode for the «PH» input and the optoelectronic sensor OSE for the «SE» input are set  three times - set the photocell mode for «PH» input and 8.2kΩ resistive sensor for «SE» input  four times - set the photocell mode for «PH» input and optoelectronic sensor OSE for «SE» input
Press the PB programming button  (or after ~6 seconds the control unit will automatically memorize the set mode)	rarely flashes green (control unit standby mode)

## 6. WORKTIME SETTING

The limit settings of the motor should be made before the start of the working time setting procedure. The curtain must be completely closed.

The maximum working time is 100 seconds (factory setting).

Procedure	LED D
Press the PB programming button (Figure 1)	lights green with a short blink
Press the ▲ button on the CB keyboard	flashes red
When fully opened, press ■ on the CB keypad (can be pressed, for example, after ~3 seconds after full opening)	~2 seconds flashing green frequently → rarely flashes green (control unit standby mode)



If the button ■ is not pressed within 5 seconds after full opening, the control unit will retain the factory setting (100 seconds).

## 7. ADDING AND REMOVING REMOTE CONTROLS (AT-1, AT-1S, AT-15, AT-15S, AT-4N, etc.)

The control with the help of an added remote control is exercised as follows:

For **UBS** mode - control with three remote control buttons ▲, ■, ▼ «open», «stop», «close» respectively.

For **SBS** mode - control with button of the remote control in the sequence: «open - stop - close - stop - open - ...»



It is recommended to clear the control unit memory from previously recorded remote control codes before the first remote control recording.

Adding remote controls	LED D
Press the PB programming button (Figure 1)	lights green with a short blink
Press the ▼ button on the CB keyboard (Press the ▼ button as many times as necessary to select the required UBS or SBS control mode.)	flashes red once - UBS control mode flashes red twice - SBS control mode (factory setting)
Press and release the remote control button (For the UBS mode - press the button intended for opening, other buttons are assigned automatically)	~2 seconds lights red → rarely flashes green
Press and release the same remote control button	~2 seconds lights red → rarely flashes green (control unit standby mode)



If the following action is not performed while adding a remote control unit for 6 seconds, the control unit will go into standby mode (a rare flashing green light of the control unit indicator). The remote control will not be recorded and the recording procedure must be performed again.

If the remote button is reassigned, the recording procedure must be repeated.

Removing all remote controls	LED D
Press and hold (~ 9 seconds) PB programming button (Figure 1)	~ 9 seconds flashes green several times → red several times → lights red
Release PB Programming Button	lights (~ 2 seconds) green → flashes quickly (~ 3 seconds) red → rare green flashes (control unit standby)



If the remote control is lost, in order to avoid unauthorized entry it is necessary to delete all remote controls from the memory of the control unit and add them again.



## 8. OPERATION

The corresponding remote control buttons are responsible for opening, stopping and closing the roller shutter system:

**UBS** - control with three remote control buttons ▲, ■, ▼ correspondingly – «open», «stop», «close».

**SBS** - control with one remote control button in the following sequence: «open - stop - close - stop - stop - ...».

If the safety device has been triggered, the remote control is not possible. To raise/lower the roller curtain in case of emergency, use the buttons on the control unit body - CB keypad (Figure 1) operating in the dead-hand mode.



**PROHIBITED! To operate a roller shutter system with defective controls and safety features.**

**PROHIBITED! To use the product with damaged power cable insulation. If the power cable is damaged, it must be replaced by the Supplier to avoid danger.**

**The product is not intended to be used by persons (including children) with reduced physical, sensory or mental capabilities, or lack of experience or knowledge, unless they are supervised or instructed how to use the product by a person responsible for their safety.**

**Adults must supervise children and not allow children to play with the product.**

**When carrying out any work (installation, repair, window cleaning, etc.), disconnect the power supply from the product.**

Before opening/closing the roller shutters, please make sure that no foreign objects or persons are in the area of the roller shutter. Watch the movement of the curtain. Keep persons away from the rolling curtain until it is completely closed. Do not touch moving parts of the roller shutter.

The customer and operators of the product must be instructed about danger and risks involved as well as about rules of safe operation and maintenance.

Do not use the product in case it requires to be serviced.

### Signaling of LED D of the control unit

Description	LED D
The control unit functions in standby mode	lights green with a short blink
Curtain movement	lights red
Safety device triggered or no remote control added	~2 seconds of frequent red flashing
The remote control button not used when adding	~2 seconds of frequent red flashing

### Troubles and recommendations for their resolution

Observations	Possible causes	Actions/Troubleshooting
No control unit indication, motor doesn't work	No mains voltage, badly clamped wires in terminals, fuse destroyed.	Check the mains voltage. Tighten the wires in the terminals. Check and replace the fuse if necessary (see how to replace the fuse)
Control unit is indicated, motor axis does not rotate correctly	Wiring Error	Check motor wiring (see Section 4)
The motor is not operated by the remote control (the indicator on the remote control "lights up" and the control unit indicator ~2 seconds flashes red frequently)	Safety device has been triggered, or the remote control is not added to the control unit memory	Check the operation of the safety devices. Save the remote control to the control unit (see Section 7)
The motor is not controlled or does not react when safety devices are triggered	Wrong selection of safety device settings or safety device is faulty	Select the connected safety devices in the settings (see Section 5). Check the functionality of the safety devices, replace them if necessary
The motor is not controlled by the remote control (the remote control indicator does not light up or is not lit up brightly)	The remote control battery is discharged	Check the remote control battery and replace it if necessary
The curtain does not stop in end positions	The end positions are not set up or are faulty. Incorrect setting of runtime	Adjust the end positions of the actuator. Re-adjust the working time of the control unit (see Section 6)



*If a fault is detected that cannot be fixed using the information in this manual, please contact customer service. Contact the supplier for information about service.*

## Changing the fuse:

- Turn off the power.
- Remove the control box cover (Figure 4).
- Open the fuse holder cover.
- Replace the defective fuse with a similar one: F - 6.3A (Fuse FU, Figure 1).
- Put all the items back in place.

Average service life of the product is 8 years with the intensity of work up to 30 cycles of «opening-closing» per day. After the expiration of the established service life, it is necessary to address to the Supplier for reception of the conclusion on admissibility of the further operation of the product.

## 9. SERVICE

The control unit must be subjected to scheduled service to ensure efficient and safe operation. Planned service must be carried out in strict compliance with the applicable regulations and safety measures. Planned service must be carried out at least once a year:

- Check the control unit and components (cables, buttons, electronic components, etc.). Damaged parts must be replaced.
- Clean the outer surfaces of the control unit. Clean with a soft, damp cloth. Do not use water jets, high-pressure cleaners, acids or alkalis for cleaning.
- Check the proper operation of the controls (control unit buttons, remote controls and optional controls).
- Check that the connected motor is working properly.

At least once every six months, check the correct operation of each connected safety and alarm device.

## 10. WAREHOUSING, TRANSPORTATION AND RECYCLING

Warehousing of products shall be effected in packaging in closed and dry premises. Do not allow exposure to precipitation or direct sunlight. Storage period is 2 years from the production date. All types of closed aboveground transport can carry out the transportation with the exception of shocks and movements inside of transport.



Recycling should be performed according to regulatory and legal acts about utilization and recycling used in the country of consumption. The product does not contain precious metals and substances that are dangerous to life, health and the environment.



*The packaging must be disposed of in accordance with current regulations.*

## 11. WARRANTY

1. The Seller guarantees full operability of the product when it is used in full compliance with the user manual, if the mounting process is carried out by an Organization that has been authorized by the Supplier.
2. During the warranty period, faults caused by the fault of the Manufacturer or the organization authorized by the Supplier that installed the product, shall be eliminated by the Supplier.
3. The warranty does not apply in cases involving:
  - failure to comply with installation, operation and use regulations;
  - installation, adjustment, repair, reinstallation or modification of the product by persons not authorized by the Supplier;
  - damage to the product caused by unstable operation of the power supply network or mismatching of the power supply network with the values set by the Manufacturer;
  - force majeure (fires, lightning strikes, floods, earthquakes and other natural disasters and emergencies);
  - occurrence of malfunctions and defects caused by the inoperability of roller shutter systems.
  - the fields in paragraphs 12 and 13 of this manual are not fully filled in.

**Note:** parts replaced under warranty become the property of the Supplier.

4. The warranty period is 2 years and is calculated from the date of installation.

## 12. PRODUCT DETAILS

Filled at the time of manufacture of the roller shutter systems.

Serial No. and date of manufacture \_\_\_\_\_  
Data of the product label

Details of the Customer (the Consumer) \_\_\_\_\_

\_\_\_\_\_  
Name, address and telephone number of the Customer (the Consumer)

Details of the Supplier (installation organization) \_\_\_\_\_

\_\_\_\_\_  
Name, address and telephone number of the Supplier (the installation organization)

## 13. CERTIFICATE OF INSTALLATION AND ADJUSTMENT

The product has been installed and adjusted according to the applicable requirements and is found fit for service.

Date of installation \_\_\_\_\_  
Date, month, year

Signature of the person responsible for the installation \_\_\_\_\_  
Signature, seal      Full name

Signature of the person who accepted the installation (the Customer) \_\_\_\_\_  
Signature      Full name

The manufacturer (manufacturer's authorized representative) reserves the right to make changes to the data specified in these operating instructions at any time. In individual cases, they may differ from the corresponding version of the product, but the functional information will not change significantly and will not be invalidated.

The latest operating manuals, conformity documents (certificates/declarations) and other information about the product can be found at [www.alutech-group.com](http://www.alutech-group.com)

### Made in China

**Authorised representative in EU:**  
ALUTECH SYSTEMS S.R.O.  
330 23, Czech Republic, Úherce 165  
Tel./ Fax: + 420 374 6340 01  
e-mail: [info@cz.alutech-group.com](mailto:info@cz.alutech-group.com)



ALUTECH hereby declares that this device conforms to the essential requirements and other relevant provisions of Directive 2014/53/EU. A declaration of conformity is available at [www.alutech.ch/declaration](http://www.alutech.ch/declaration)

**ALUTECH**   
GROUP OF COMPANIES

Alutech Incorporated LLC  
10 Selitskogo str., off 301  
220075, FEZ «Minsk», Republic of Belarus  
Tel. +375 (17) 345 81 52 / Fax +375 (17) 299 61 11  
[info@alutech.by](mailto:info@alutech.by)

## 1. ОБЩИЕ ПОЛОЖЕНИЯ И МЕРЫ БЕЗОПАСНОСТИ

Перед началом монтажа внимательно изучите всю приведенную ниже информацию и следуйте всем указаниям руководства. Сохраните данное руководство для дальнейшего использования.

Содержание руководства не может являться основанием для юридических претензий.

Не допускается внесение несанкционированных изменений в изделие или использование не по назначению. Использование по назначению включает в себя соблюдение предписанных правил эксплуатации в данном руководстве и правовых норм в регионе установки.

Изделие не предназначено для использования и хранения в кислотной, соленой или взрывоопасной среде.

При проведении работ (монтаж, ремонт, обслуживание, чистка и т.п.) отключите изделие от электрической сети.



*Соблюдайте правила безопасности, регламентированные действующими в регионе установки изделия нормативно-правовыми документами. При эксплуатации с автоматическим закрытием надлежит соблюдать стандарт EN 12453 по устройствам безопасности, в регионе его действия. Квалифицированный персонал должен обеспечить соответствие после запуска в эксплуатацию системы стандартам, действующим в данном регионе, например, стандартам EN 13659 для роллет или EN 12635 для ворот.*

Радиоуправление допускается только для таких условий установки, в которых радиопомехи в передатчике или приёмнике не вызывают опасность для людей, животных или предметов, либо риск предотвращается другими защитными устройствами.



*Дистанционное управление связано с риском травмы, и должно выполняться только при непосредственном визуальном наблюдении движения роллетного полотна.*

*Пульт дистанционного управления должен храниться таким образом, чтобы исключить случайное включение, в том числе, детьми или животными.*

Изделие не защищено от помех других радиоприборов (например, радиостановок, работающих в том же частотном диапазоне).

## 2. ОПИСАНИЕ

Радиоприёмник **CUR** (блок управления) предназначен для управления кнопками на корпусе или посредством пультов дистанционного управления **АЛЮТЕХ** (радиопультов) электроприводами роллетных систем, ограждающих оконные, дверные и воротные проёмы. К изделию допустимо подключения дополнительных устройств управления и безопасности, таких как: клавишные выключатели, замковые выключатели, фотоэлементы, оптические и резистивные кромки безопасности.

## 3. ТЕХНИЧЕСКИЕ ХАРАКТЕРИСТИКИ

Оптимально подбирайте модель электропривода в зависимости от мощности изделия, согласно требованиям инструкций и рекомендаций **АЛЮТЕХ**. При необходимости обратитесь к Поставщику для консультации.

### Технические характеристики изделия

Напряжение питания / Частота тока	~ 230В (+10%, -15%) / 50Гц
Максимальная потребляемая мощность в режиме ожидания (без подключенных дополнительных устройств)	1,5Вт
Максимальная мощность электропривода	1500Вт
Питание проблесковой лампы	~ 230В / макс. 100Вт
Питание дополнительных устройств (аксессуары)	12В постоянного тока / макс. 100мА
Рабочая частота радиоуправления	433,92МГц
Количество записываемых радиопультов	250 штук
Степень защиты оболочки	IP54
Диапазон рабочих температур	-20°C ... +50°C
Сечение подключаемых проводов с сетевым напряжением питания	макс. 2,5мм <sup>2</sup> (22-14AWG)
Сечение подключаемых проводов дополнительных устройств	
Габаритные размеры (Д x Ш x В)	150 x 100 x 38мм
Вес	не более 0,3кг

*Приведенные технические характеристики относятся к температуре окружающей среды 20°C (±5 °C) и напряжению питания 230В/50Гц.*

## 4. МОНТАЖ И ПОДКЛЮЧЕНИЕ

Монтаж выполнить в соответствии с нижеуказанными требованиями и в порядке, указанном в иллюстрационной части руководства, см. стр. 2-3. Приведенные инструкции необходимо рассматривать в качестве примера, так как место установки изделия и его компонентов может отличаться. Задача монтажника выбрать самое подходящее решение.

Подключения устройств к клеммам блока управления выполнить в соответствии со схемой подключений (Рисунок 10).

Если направление вращения выходного вала электропривода не совпадает с требуемым, отключите электрическую сеть и поменяйте местами провода подключения на клеммах «L1» и «L2» (Рисунок 10).

Место установки должно обеспечивать качественный прием радиосигнала (отсутствуют экранирующие и отражающие поверхности, другие источники радиопомех). Расстояние между соседними блоками управления не менее 300мм. Не допускается параллельно подключать несколько электроприводов к блоку управления.

Не укорачивайте и не удлиняйте антенну.

Поручите выполнение работ по монтажу, вводу в эксплуатацию и техническому обслуживанию компетентному специалисту (в соответствии со стандартом EN 12635, в регионе его действия) согласно указаниям данного руководства. При этом следует соблюдать требования стандартов EN 12604 и EN 12635 и другие нормативно-правовые нормы, в регионе их действия.



*Монтаж, подключения и запуск в эксплуатацию должны выполняться квалифицированным персоналом в соответствии с нормативно-правовыми актами региона, где производится установка изделия. Например, инструкции по безопасности EN 60335-2-97 или правил монтажа Ассоциации немецких инженеров-электриков (VDE 0100). Квалифицированный персонал должен обеспечить соответствие после запуска в эксплуатацию рольетной системы стандартам, действующим в данном регионе, например, стандарту EN 13659 для рольет или EN 12635 для ворот.*

Параметры применяемых электрических кабелей (сечение, количество проводов и др.) должны соответствовать схеме подключения, мощности устройств, расстоянию прокладки, способу прокладки и внешним условиям.

При использовании изделия снаружи (на улице) электрические кабели должны быть проведены в специальных защитных кожухах. Кабели, проложенные через металлическую перегородку, должны быть защищены и изолированы.



*Бережно используйте изделие во время его установки: предохраняйте от удара, падения или контакта с жидкостями любого типа; не размещайте устройство вблизи источников тепла и не располагайте рядом с открытым огнём. Описанные выше ситуации могут привести к повреждению изделия, вызвать пожар или привести к опасности. Если произойдет одна из описанных выше ситуаций, немедленно прекратите сборку и обратитесь в сервисную службу Поставщика.*

Изделие должно располагаться в пределах видимости рольеты, на безопасном расстоянии от подвижных частей, на высоте не менее 1,5м. Убедитесь, что места установки блока управления и дополнительных устройств (аксессуары) защищены от ударов и поверхности для установки достаточно прочные.



***ВНИМАНИЕ!** Электрическая сеть должна быть оборудована защитным заземлением. Участок электрической сети, к которому подключается изделие, должен быть оборудован устройством защиты согласно нормативно-правовым актам в данном регионе. Соедините заземляющий провод электропривода с защитным заземлением электрической сети. Расстояние между клеммами в устройстве отключения не менее 3мм.*

При проведении каких-либо работ (монтаж, ремонт, обслуживание, чистка и т. п.) отключите цепь питания. Если коммутационный аппарат отключающий питание находится вне зоны видимости, то прикрепите табличку: «Не включать! Работают люди» и примите меры, исключающие возможность ошибочной подачи напряжения.

### Подключение устройств управления

Для управления к клеммам «SBS» и «GND» блока управления подключаются устройства с «нормально-открытым контактом» (Рисунки 10d, 10e): кнопки, выключатели, внешние радиоприемники и т.п. Управление осуществляется в последовательности: «открыть - стоп - закрыть - стоп - открыть - ...». Если установлено несколько устройств управления, то они должны быть подключены параллельно.



*Не допускается подача напряжения на клемму «SBS»!*

### Подключение устройств безопасности – фотоэлементов и аварийного выключателя



*Выбор устройств безопасности (логика работы входов подключений «PH» и «SE») в настройках блока управления (см. раздел 6) должен соответствовать подключенным типам устройств безопасности!*

Для остановки рольетного полотна при открытии и закрытии к клеммам «PH» и «GND» подключаются устройства с «нормально-закрытым контактом» (Рисунки 10a, 10f, 10g). Если установлено несколько устройств, то они должны быть подключены последовательно.

Для обеспечения безопасности при закрытии подключаются фотоэлементы (Рисунок 10а). Выходная цепь приемника (RX) должна быть подключена к клеммам «PH» и «GND». Цепи питания приемника (RX) и передатчика (TX) фотоэлементов подключаются к клеммам «+12V» и «GND», номинальное напряжение на которых 12В постоянного тока. Максимальное значение тока для всех подключенных к клеммам «+12V» и «GND» устройств не должно превышать 100мА.

Во время закрытия, срабатывание фотоэлементов вызывает остановку движения и последующее полное поднятие полотна, повторное срабатывание фотоэлементов вызывает остановку движения полотна. Во время открытия, срабатывание фотоэлементов вызывает остановку движения полотна.

Если установлено несколько пар фотоэлементов, то они должны быть соединены друг с другом последовательно по выходной цепи к клеммам «PH» и «GND» и параллельно по цепи питания к клеммам «+12V» и «GND».

Для аварийной остановки полотна при открытии и закрытии к клеммам «PH» и «GND» могут быть подключены аварийный выключатель, инерционный тормоз (Рисунки 10f, 10g). Если установлено несколько аварийных устройств, то они должны быть соединены друг с другом последовательно.



*Если к клеммам «PH» и «GND» никакие устройства не подключены, то должна быть установлена перемычка. Если к клеммам «PH» и «GND» подключены устройства безопасности, то удалите перемычку. Не допускается подача напряжения на клемму «PH»!*

### Подключение устройств безопасности – оптической или резистивной кромок безопасности

Для обеспечения безопасности при закрытии проёма (сдавливание, защемление) к входу «SE» подключается датчик безопасности нижней кромки полотна (система чувствительный край): резистивный датчик 8,2кОм (Рисунок 10с) или оптоэлектронный датчик /опосенсоры системы OSE - Signal 12 (Рисунок 10b).

Во время закрытия полотна, срабатывание оптоэлектронного или резистивного датчика вызывает остановку движения и последующее полное поднятие полотна.



*Если датчик безопасности нижней кромки не подключен, то к клеммам «SE» и «GND» должен быть подключен резистор 8,2кОм±5% и в настройках устройств безопасности выбран режим работы с резистивным датчиком (см. раздел 5). Если датчик безопасности нижней кромки подключен, удалите резистор.*

### Подключение устройств безопасности – сигнальной лампы

Для сигнализации о движении полотна к клеммам «FL» и «N» подключается проблесковая лампа (Рисунок 10) 230В/макс. 100Вт, рекомендуются сигнальные лампы АЛЮТЕХ. Выход проблесковой лампы работает без «режима мигания».

## 5. ВЫБОР РЕЖИМОВ РАБОТЫ УСТРОЙСТВ БЕЗОПАСНОСТИ

Для работы подключенных к входам «PH» и «SE» устройств безопасности (см. раздел 4) необходимо в настройках блока управления сделать выбор режимов работы входов.

Последовательность действий	Индикатор D
Нажать кнопку программирования PB (Рисунок 1)	горит зеленым с коротким миганием редко мигает красным:
Нажать кнопку ■ на клавиатуре CV  (Нажимать кнопку ■ нужное количество раз для выбора необходимого режима работы подключенных устройств безопасности к входам «PH» и «SE»)	однократно - режим СТОП для входа «PH» и резистивный датчик 8,2кОм для входа «SE» (Заводская установка) двукратно - режим СТОП для входа «PH» и оптоэлектронный датчик OSE для входа «SE» трёхкратно - режим фотоэлементы для входа «PH» и резистивный датчик 8,2кОм для входа «SE» четырёхкратно - режим фотоэлементы для входа «PH» и оптоэлектронный датчик OSE для входа «SE»
Нажать кнопку программирования PB  (или через ~6 секунд блок управления автоматически запомнит установленный режим)	редко мигает зеленым (режим ожидания блока управления)

## 6. УСТАНОВКА РАБОЧЕГО ВРЕМЕНИ

До начала процедуры установки рабочего времени должны быть настроены конечные положения электропривода. Полотно должно быть полностью закрыто.

Максимальное рабочее время – 100 секунд (заводская установка).

Последовательность действий	Индикатор D
Нажать кнопку программирования РВ (Рисунок 1)	горит зеленым с коротким миганием
Нажать кнопку ▲ на клавиатуре СВ	мигает красным
После полного подъёма полотна нажать ■ на клавиатуре СВ (допускается нажать, например, через ~3 секунды после полного открытия)	~2 секунды частое мигание зеленым → редкое мигание зеленым (режим ожидания блока управления)



Если в течение 5 секунд после полного открытия не будет нажата кнопка ■, то блок управления сохранит заводскую установку (100 секунд).

## 7. ЗАПИСЬ И УДАЛЕНИЕ РАДИОПУЛЬТОВ (АТ-1, АТ-1S, АТ-15, АТ-15S, АТ-4N и др.)

Управление с записанного радиопульта осуществляется:

для режима **UBS** - управление тремя кнопками радиопульта ▲, ■, ▼ соответственно – «открыть», «стоп», «закрыть».

для режима **SBS** управление одной кнопкой радиопульта в последовательности: «открыть - стоп – закрыть – стоп – открыть - ...».



Рекомендуется перед первой записью радиопульта, очистить память блока управления от записанных ранее кодов радиопульта.

Запись радиопульта	Индикатор D
Нажать кнопку программирования РВ (Рисунок 1)	горит зеленым с коротким миганием
Нажать кнопку ▼ на клавиатуре СВ (Нажимать кнопку ▼ нужное количество раз для выбора необходимого режима управления UBS или SBS)	мигает красным один раз - режим управления UBS мигает красным два раза - режим управления SBS (Заводская установка)
Нажать и отпустить кнопку радиопульта (Для режима UBS – нажать кнопку предназначенную для открытия, остальные кнопки назначаются автоматически)	~2 секунды горит красным → горит зеленым с коротким двойным миганием
Нажать и отпустить ту же кнопку радиопульта	~2 секунды горит красным → редкое мигание зеленым (режим ожидания)



Если при записи радиопульта в течение 6 секунд не будет выполнено следующее действие, то блок управления перейдет в режим ожидания (редкое мигание зеленым цветом индикатора блока управления). Радиопульт записан не будет и процедуру записи необходимо выполнить сначала.

При переназначении кнопки радиопульта необходимо заново выполнить процедуру записи.

Удаление всех радиопульта	Индикатор D
Нажать и удерживать (~9 секунд) кнопку программирования РВ (Рисунок 1)	~9 секунд мигает несколько раз зеленым → несколько раз красным → горит красным
Отпустить кнопку программирования РВ	горит (~2 секунды) зеленым → часто мигает (~3 секунды) красным → редкое мигание зеленым (режим ожидания блока управления)



Если радиопульт утерян, во избежание несанкционированного проникновения, необходимо удалить все радиопульты из памяти блока управления и заново их записать.

## 8. ЭКСПЛУАТАЦИЯ

Соответствующие кнопки радиопульта отвечают за открытие, остановку, закрытие роллетной системы:

**UBS** - управление тремя кнопками радиопульта ▲, ■, ▼ соответственно – «открыть», «стоп», «закрыть».

**SBS** - управление одной кнопкой радиопульта в последовательности: «открыть - стоп - закрыть - стоп - ...».

Если сработало устройство безопасности управление с помощью радиопульта невозможно. Для аварийного поднятия/опускания роллетного полотна используйте кнопки на корпусе блока управления - клавиатуру СВ (Рисунок 1), работающую в режиме «мертвой руки».



**ЗАПРЕЩАЕТСЯ!** эксплуатация роллетных систем с неисправными элементами управления, безопасностями.

**ЗАПРЕЩАЕТСЯ!** использовать изделие с поврежденной изоляцией шнура питания. При повреждении шнура питания его замену, во избежание опасности, должен производить Поставщик.

Изделие не предназначен для использования лицами (включая детей) с пониженными физическими, чувственными или умственными способностями, или при отсутствии у них жизненного опыта или знаний, если они не находятся под контролем или не проинструктированы об использовании прибора лицом, ответственным за их безопасность.

Дети должны находиться под контролем взрослых для недопущения игры с изделием и его управлением.

При проведении работ (монтаж, ремонт, мойка окон и т.п.) отключите электропитание изделия.

Перед открытием/закрытием роллеты убедитесь в том, что посторонние предметы и люди не находятся в зоне движения роллетного полотна. Наблюдайте за движением полотна. Не допускайте людей к роллетам до их полного закрытия. Не прикасайтесь к движущимся частям роллеты.

Владелец и лица, эксплуатирующие изделие, должны быть проинструктированы о существующих опасностях и рисках, о правилах безопасной эксплуатации и обслуживания.

Не допускается использовать изделие, подлежащее ремонту.

### Сигнализация индикатора D блока управления

Описание	Индикатор D
Блок управления работает в режиме ожидания	горит зеленым с коротким миганием
Движение полотна	горит красным
Сработало устройство безопасности или не записан радиопульт	~2 секунды частое мигание красным
Нажата кнопка радиопульта не использованная при записи	~2 секунды частое мигание зеленым

### Неисправности и рекомендации по их устранению

Неисправность	Вероятная причина	Рекомендации
Нет индикации блока управления, электропривод не работает	Отсутствует напряжение в сети, плохо зажаты провода в клеммах, перегорел предохранитель	Проверьте напряжение в сети. Зажмите провода в клеммах. Проверьте и замените, в случае необходимости, предохранитель (см. порядок замены предохранителя)
Есть индикация блока управления, электропривод вращается неверно	Ошибка в электрических подключениях	Проверьте подключения электропривода (см. раздел 4)
Электропривод не управляется радиопультом (индикатор на пульте «загорается», а индикатор блока управления ~2 секунды часто мигает красным)	Сработало устройство безопасности или радиопульт не записан в память блока управления	Проверьте работу устройств безопасности. Запишите радиопульт в память блока управления (см. раздел 7)
Электропривод не управляется или не реагирует при срабатывании устройств безопасности	Неверный выбор в настройках устройств безопасности или устройства безопасности неисправны	Выберите в настройках подключенные устройства безопасности (см. раздел 5). Проверьте работоспособность устройств безопасности, при необходимости замените их
Электропривод не управляется от радиопульта (индикатор на пульте не загорается или горит не ярко)	Батарейка радиопульта разряжена	Проверьте батарейку радиопульта, при необходимости, замените ее
Полотно не останавливаются в конечных положениях	Конечные положения не настроены или сбились. Неверное установка времени работы	Настройте конечные положения электропривода. Переустановите время работы блока управления (см. раздел 6)





В случае возникновения неисправности, которая не может быть устранена с использованием информации из данного руководства, необходимо обратиться в сервисную службу. За информацией о сервисной службе обратиться к Поставщику.

## Порядок замены предохранителя:

- Отключить питание.
- Снять крышку блока управления (Рисунок 4).
- Открыть крышку держателя предохранителя.
- Заменить вышедший из строя предохранитель на аналогичный: F – 6,3А (предохранитель FU, Рисунок 1).
- Установить все элементы на место.

Средний срок службы изделия 8 лет при интенсивности работы до 30 циклов «открытия-закрытия» в сутки. По истечении установленного срока службы необходимо обратиться к Поставщику для получения заключения о допустимости дальнейшей эксплуатации изделия.

## 9. ОБСЛУЖИВАНИЕ

Блок управления должен подвергаться плановому обслуживанию для гарантии эффективной и безопасной работы. Плановое обслуживание должно производиться в строгом соответствии с действующими нормативными документами с соблюдением мер безопасности. Плановое обслуживание производителе не менее одного раза в год:

- Проверьте элементы блока управления и компонентов (кабели, кнопки, электронные элементы и др.). Поврежденные элементы должны быть заменены.
- Очистите наружные поверхности блока управления. Очистку производите с помощью мягкой влажной ткани. Запрещено применять для чистки: водяные струи, очистители высокого давления, кислоты или щелочи.
- Проверьте надлежащее действие элементов управления (кнопки блока управления, радиопульты, дополнительные устройства управления).
- Проверьте правильность работы подключенного электропривода.

Не реже одного раза в шесть месяцев проверьте правильность работы каждого подключенного устройства безопасности и сигнализации.

## 10. ХРАНЕНИЕ, ТРАНСПОРТИРОВКА И УТИЛИЗАЦИЯ

Хранение изделия должно осуществляться в упакованном виде в закрытых сухих помещениях. Нельзя допускать воздействия атмосферных осадков, прямых солнечных лучей.

Срок хранения – 2 года с даты изготовления.

Транспортировка может осуществляться всеми видами крытого наземного транспорта с исключением ударов и перепадов внутри транспортного средства.



Утилизация выполняется в соответствии с нормативными и правовыми актами по переработке и утилизации, действующие в стране потребителя. Изделие не содержит драгоценных металлов и веществ, представляющих опасность для жизни, здоровья людей и окружающей среды.



Упаковка должна утилизироваться в соответствии с действующими нормами.

## 11. ГАРАНТИЙНЫЕ ОБЯЗАТЕЛЬСТВА

1. Поставщик гарантирует работоспособность изделия при соблюдении правил его эксплуатации и при выполнении монтажа изделия монтажной организацией, уполномоченной Поставщиком.

2. В течение гарантийного срока неисправности, возникшие по вине Изготовителя, уполномоченной Поставщиком организации, осуществлявшей монтаж изделия, устраняются Поставщиком.

3. Гарантия на изделие не распространяется в случаях:

- нарушения правил монтажа, эксплуатации изделия и использования не по назначению;
- монтажа, настройки, ремонта, переустановки или переделки изделия лицами, не уполномоченными Поставщиком;
- повреждений изделия, вызванных нестабильной работой питающей электросети или несоответствием параметров электросети значениям, установленным Изготовителем;
- действия непреодолимой силы (пожары, удары молний, наводнения, землетрясения и другие стихийные бедствия);
- возникновения неисправностей и дефектов, обусловленных неработоспособностью роллетных систем.
- не полностью заполненных полей п.12, 13 настоящего руководства.

**Примечание:** замененные по гарантии детали становятся собственностью Поставщика.

4. Гарантийный срок составляет 2 года и исчисляется с даты монтажа.

## 12. ДАННЫЕ ОБ ИЗДЕЛИИ

Заполняется в момент изготовления роллетных систем.

Заводской номер и дата изготовления \_\_\_\_\_  
данные с этикетки изделия

Сведения о заказчике (потребителе) \_\_\_\_\_

наименование, адрес и телефон заказчика (потребителя)

Сведения о поставщике (монтажной организации) \_\_\_\_\_

наименование, адрес и телефон поставщика (монтажной организации)

## 13. СВИДЕТЕЛЬСТВО О МОНТАЖЕ И НАСТРОЙКЕ

Изделие смонтировано и настроено в соответствии с установленными требованиями и признано годным для эксплуатации.

Дата монтажа \_\_\_\_\_  
число, месяц, год

Подпись лица ответственного за монтаж \_\_\_\_\_  
подпись, МП                      расшифровка подписи

Подпись лица принявшего монтаж (заказчик) \_\_\_\_\_  
подпись                              расшифровка подписи

Изготовитель (уполномоченный представитель изготовителя) оставляет за собой право вносить изменения в данные, указанные в настоящем Руководстве по эксплуатации в любое время. В отдельном случае они могут отличаться от соответствующей версии изделия, однако функциональная информация не претерпит существенных изменений и не станет недействительной.

Актуальное руководство по эксплуатации, документы о подтверждении соответствия (сертификаты/декларации) и другую информацию об изделии вы можете найти на сайте - [www.alutech-group.com](http://www.alutech-group.com)

### Сделано в Китае

### Изготовитель:

ZHEJIANG HILAND TECHNOLOGY CO., LTD.  
ЧЖЭЦЗЯН ХАЙЛАНД ТЕХНОЛОДЖИ КО., ЛТД.  
БИОЛОГИЧЕСКИЙ ИНДУСТРИАЛЬНЫЙ ПАРК ЮНИОНГИН, ЙОНГЧЖАН РОУД 128,  
ДАЙПУ, АНЖИ, ХУЧЖОУ, ЧЖЕЦЗЯН, КИТАЙ, 313000

### Импортер в Республике Беларусь/Уполномоченный представитель изготовителя:

ООО «Алютех Инкорпорейтед»,  
220075, Беларусь, Минская область, Минский район, СЭЗ «Минск», ул. Селицкого 10-301  
Тел. +375 (17) 299 61 11, 345 81 52



ООО «Алютех Инкорпорейтед»  
ул. Селицкого, 10-301  
220075, Республика Беларусь, СЭЗ «Минск»  
Тел. +375 (17) 345 81 52  
Факс +375 (17) 299 61 11  
[info@alutech.by](mailto:info@alutech.by)

## 1. ALLGEMEINE VORSCHRIFTEN UND SICHERHEITSSMAßNAHMEN

Lesen Sie vor Beginn der Montage die folgenden Informationen sorgfältig durch und befolgen Sie alle Anweisungen in der Anleitung. Bewahren Sie diese Anleitung zum späteren Nachschlagen auf.

Der Inhalt dieser Anleitung kann keine Rechtsansprüche begründen.

Unbefugte Veränderungen am Produkt oder zweckfremde Verwendung sind nicht gestattet.

Zur zweckbedingten Verwendung gehört die Beachtung der in dieser Anleitung vorgeschriebenen Betriebsvorschriften sowie der gesetzlichen Vorschriften in der Einsatzregion.

Das Produkt ist für den Einsatz und Lagerung in einer sauren, salzhaltigen oder explosiven Umgebung nicht bestimmt.

Trennen Sie das Gerät vom Stromnetz, wenn Sie Arbeiten (Montage, Reparatur, Wartung, Reinigung u.ä.) durchführen.



*Bitte, beachten Sie die Sicherheitsvorschriften, die in der Einsatzregion des Produktes gelten. Bei Betrieb mit automatischem Schließen ist die EN 12453 für Sicherheitseinrichtungen im Betriebsbereich zu beachten. Es muss durch qualifiziertes Personal sichergestellt werden, dass nach der Inbetriebnahme das System die in der jeweiligen Region geltenden Normen erfüllt, z.B. EN 13659 für Rollläden und EN 12635 für Tore.*

Die Funksteuerung ist nur unter den Installationsbedingungen zulässig, bei denen Funkstörungen im Sender oder Empfänger keine Gefahr für Menschen, Tiere oder Gegenstände darstellen bzw. das Risiko durch sonstige Schutzeinrichtungen verhindert wird.



*Die Fernbedienung ist mit Verletzungsgefahr verbunden und sollte nur unter sofortiger visueller Beobachtung des Rollladenpanzerlaufs durchgeführt werden.*

*Der Handsender muss so aufbewahrt werden, dass eine unbeabsichtigte Panzerbetätigung, auch durch Kinder oder Tiere, ausgeschlossen ist.*

Das Produkt ist nicht gegen Störungen durch andere Funkgeräte (z.B. Funkanlagen im gleichen Frequenzbereich) geschützt.

## 2. BESCHREIBUNG

Der Funkempfänger **CUR** (Steuereinheit) dient zur Steuerung von Elektroantrieben in Fenster-, Tür-, oder Garagenrollladensystemen mittels der Tasten am Gehäuse bzw. mittels der Handsender **ALUTECH** (Funkfernbedienungen).

Zusätzliche Steuer- und Sicherheitseinrichtungen wie Knopfschalter, Schlüsselschalter, Fotozellen, optische und resistive Schaltleisten können an das Produkt angeschlossen werden.

## 3. TECHNISCHE EIGENSCHAFTEN

Bitte, wählen Sie das Antriebsmodell entsprechend der Produktleistung gemäß den Anweisungen und Empfehlungen von **ALUTECH** optimal aus. Wenden Sie sich bei Bedarf an den Lieferanten.

### Technische Produkteigenschaften

Netzspannung / Stromfrequenz	~ 230V (+10%, -15%) / 50Hz
Max. Leistungsbedarf im Standby-Modus (ohne angeschlossene Zusatzgeräte)	1,5W
Max. Motorleistung	1500W
Stromversorgung der Blinkleuchte	~ 230V / max. 100W
Stromversorgung von Zusatzgeräten (Zubehör)	12V Gleichstrom/ max. 100mA
Betriebsfrequenz der Funksteuerung	433,92MHz
Anzahl der einzuspeichernden Handsender	250 Stück
Schutzgrad des Gehäuses	IP54
Betriebstemperaturbereich	-20°C ... +50°C
Querschnitt der angeschlossenen Leitungen mit Netzspannung	max. 2,5mm <sup>2</sup> (22-14AWG)
Querschnitt der angeschlossenen Leitungen von Zusatzgeräten	
Gewicht	<0,3 kg

Die oben aufgeführten technischen Eigenschaften beziehen sich auf die Außentemperatur von 20°C (±5°C) und Netzspannung von 230V/50Hz.

## 4. MONTAGE UND ANSCHLUSS

Die Montage sollte in Übereinstimmung mit folgenden Anforderungen und in der Reihenfolge erfolgen, wie sie auf den Abbildungen der Anleitung dargestellt ist (s. Seiten 2-3).

Die gegebenen Anweisungen sind als Beispiel zu betrachten, da die Montagestelle des Produktes und seiner Komponenten unterschiedlich sein kann. Die Aufgabe des Monteurs ist es, die am besten geeignete Lösung auszuwählen.

Schließen Sie die Geräte gemäß dem Schaltplan (Abbildung 10) an die Klemmen der Steuereinheit an.

Wenn die Drehrichtung der Motorabtriebswelle mit der gewünschten Drehrichtung nicht übereinstimmt, schalten Sie das elektrische Netz ab und tauschen Sie die Anschlussdrähte an den Klemmen «L1» und «L2» aus (Abbildung 10).

Die Montagestelle sollte die Qualität des Funksignalempfangs sicherstellen (es gibt keine abschirmenden oder reflektierenden Oberflächen bzw. sonstige Quellen der Funkausstrahlung). Der Abstand zwischen benachbarten Steuergeräten beträgt nicht weniger als 300 mm.

Es ist nicht zulässig, mehrere Elektroantriebe parallel an die Steuereinheit anzuschließen.

Die Antenne darf nicht gekürzt oder verlängert werden.

Lassen Sie die Montage-, Inbetriebnahme- und Wartungsarbeiten von einer qualifizierten Person (gemäß EN 12635 in der jeweiligen Einsatzregion) entsprechend den Anweisungen in dieser Anleitung durchführen. Beachten Sie bitte dabei die EN 12604 und EN 12635 sowie andere gesetzliche Bestimmungen in der Einsatzregion.



*Montage, Anschluss und Inbetriebnahme müssen von qualifiziertem Personal und nach den Vorschriften der Einsatzregion durchgeführt werden, z.B. der Sicherheitsanweisung EN 60335-2-97 bzw. den Montagevorschriften des Verbandes der Elektrotechnik (VDE 0100). Qualifiziertes Personal muss sicherstellen, dass das Rollladensystem nach der Inbetriebnahme die in der jeweiligen Region geltenden Normen erfüllt, z.B. EN 13659 für Rollläden und EN 12635 für Tore.*

Die Parameter der verwendeten elektrischen Leitungen (Querschnitt, Anzahl der Leitungen usw.) müssen dem Anschlussplan, der Leistung der Geräte, der Verlegeart und äußeren Bedingungen entsprechen.

Bei Verwendung des Produkts im Freien (draußen) müssen elektrische Kabel in speziellen Schutzabdeckungen verlegt werden. Kabel, die durch eine Metalltrennwand geführt werden, müssen geschützt und isoliert werden.



*Verwenden Sie bitte das Produkt sorgfältig bei seiner Montage: Schützen Sie es vor Stößen, Sturz oder Kontakt mit Flüssigkeiten jeglicher Art; Stellen Sie es nicht in der Nähe von Wärmequellen oder offenen Flammen auf. Die oben beschriebenen Situationen können zu Schäden am Produkt, Fehlfunktionen oder Gefahren führen. Wenn eine der oben genannten Situationen eintritt, stoppen Sie die Montage sofort und wenden Sie sich an die Serviceabteilung des Lieferanten.*

Das Produkt muss in Sichtweite des Rollladens, in einem sicheren Abstand zu beweglichen Teilen und in einer Höhe von mindestens 1,5 m platziert werden. Achten Sie bitte darauf, dass die Einbauplatz der Steuereinheit und des Zubehörs stoßgeschützt sind und dass die zu montierende Fläche ausreichend fest ist.



*ACHTUNG! Das elektrische Netz muss mit einer Schutzerdung ausgestattet sein. Der Netzbereich, an den das Produkt angeschlossen wird, muss mit einer Schutzeinrichtung gemäß den Vorschriften in der Einsatzregion ausgestattet sein. Verbinden Sie das Antriebserdungskabel mit der Schutzerdung des elektrischen Netzes. Der Abstand zwischen den Klemmen in der Trennvorrichtung beträgt mindestens 3 mm.*

Trennen Sie bitte den Stromkreis bei allen Arbeiten (Montage, Reparatur, Wartung, Reinigung usw.). Falls die Schaltanlage, die die Stromversorgung trennt, außer Sichtweite ist, bringen Sie das Etikett «Nicht einschalten! Es wird gearbeitet» an und treffen Sie Maßnahmen, um sicherzustellen, dass es keine Möglichkeit einer versehentlichen Spannungsversorgung gibt.

### Anschluss von Steuergeräten

Zur Steuerung werden an die Klemmen «SBS» und «GND» der Steuereinheit Geräte mit dem «Schließer-Kontakt» (NO) angeschlossen (Abbildungen 10d, 10e): Taster, Schalter, externe Funkgeräte usw. Die Steuerung erfolgt in der Reihenfolge «Öffnen - Stopp - Schließen - Stopp - Öffnen - ...». Sind mehrere Steuergeräte installiert, müssen diese parallel angeschlossen werden.



*Legen Sie keine Spannung an die Klemme «SBS» an!*

### Anschluss von Sicherheitseinrichtungen - Fotozellen und Notschalter



*Die Auswahl der Sicherheitseinrichtungen (Funktionsweise der Anschlüsseingänge «PH» und «SE») in den Einstellungen der Steuereinheit (s. Kapitel 6) muss den angeschlossenen Typen von Sicherheitseinrichtungen entsprechen!*

Um den Rollladenpanzer beim Öffnen und Schließen zu stoppen, werden Geräte mit dem «Öffner-Kontakt» (NC) an die Klemmen «PH» und «GND» angeschlossen (Abbildungen 10a, 10f, 10g). Sind mehrere Geräte installiert, müssen diese aufeinanderfolgend angeschlossen werden.

Aus Sicherheitsgründen beim Schließen werden Fotozellen angeschlossen (Abbildung 10a).

Die Empfänger-Ausgangsschaltung (RX) muss an die Klemmen «PH» und «GND» angeschlossen werden. Die Stromversorgungs- und Senderkreise (TX) der Fotozellen werden an die Klemmen «+12V» und «GND» angeschlossen, deren Nennspannung 12V DC beträgt. Der maximale Stromwert für alle an die Klemmen «+12V» und «GND» angeschlossen Geräte darf 100mA nicht überschreiten.

Beim Schließen bewirkt das Auslösen der Fotozellen, dass die Bewegung stoppt und der Panzer komplett hochfährt; Die Reaktivierung der Fotozellen bewirkt, dass sich der Rollladenpanzer nicht mehr bewegt. Beim Öffnen bewirkt das Auslösen der Fotozellen, dass sich der Rollladenpanzer nicht mehr bewegt.

Sind mehrere Fotozellenpaare installiert, müssen diese aufeinanderfolgend im Ausgangskreis miteinander verbunden werden und an die Klemmen «PH» und «GND» angeschlossen werden bzw. parallel im Versorgungskreis an die Klemmen «+12V» und «GND» angeschlossen werden.

Für das Notstoppen des Rollladenpanzers beim Öffnen und Schließen können an die Klemmen «PH» und «GND» ein Notschalter bzw. eine Abrollicherung angeschlossen werden (Abbildungen 10f, 10g). Werden mehrere Notfallgeräte installiert, müssen diese aufeinanderfolgend angeschlossen werden.



*Wenn keine Geräte an die Klemmen «PH» und «GND» angeschlossen sind, muss eine Brücke gesetzt werden. Wenn an die Klemmen «PH» und «GND» Sicherheitseinrichtungen angeschlossen sind, entfernen Sie bitte die Brücke. Legen Sie keine Spannung an die Klemme «PH» an!*

### Anschluss von Sicherheitseinrichtungen – der optischen bzw. resistiven Sicherheitsschaltleiste

Um die Sicherheit beim Schließen der Öffnung (Quetschschutz, Klemmschutz) zu gewährleisten, wird ein Sicherheitssensor der Panzerunterkante (System der Sicherheitsschaltleiste) an den Eingang «SE» angeschlossen: Ein 8,2 kΩ Widerstandssensor (Abbildung 10c) oder ein optoelektronischer Sensor / Optosensoren des OSE-Systems - Signal 12 (Abbildung 10b).

Wenn der Panzer geschlossen wird, bewirkt die Aktivierung des optoelektronischen oder resistiven Sensors, dass sich der Panzer nicht mehr bewegt und anschließend vollständig hochfährt.



*Wenn der Sicherheitssensor der Unterkante nicht angeschlossen ist, muss ein 8,2 ±5% kΩ Widerstand an die Klemmen «SE» und «GND» angeschlossen werden und in den Einstellungen der Sicherheitseinrichtung muss der Modus des resistiven Sensors ausgewählt werden (siehe Kapitel 5). Wenn der Sicherheitssensor der Unterkante angeschlossen ist, entfernen Sie bitte den Widerstand.*

### Anschluss von Sicherheitseinrichtungen – Signallampe

Eine 230V / max. 100W Blinkleuchte (Abbildung 10) wird an die Klemmen «FL» und «N» angeschlossen, um die Panzerbewegung anzuzeigen; **ALUTECH** Signallampen werden empfohlen. Der Ausgang der Blinkleuchte funktioniert ohne «Blinkmodus».

## 5. AUSWAHL DER BETRIEBSMODI DER SICHERHEITSEINRICHTUNGEN

Für den Betrieb der an die Eingänge «PH» und «SE» angeschlossen Sicherheitseinrichtungen (siehe Kapitel 4) müssen Sie in den Einstellungen der Steuereinheit die Betriebsmodi der Eingänge auswählen.

Reihenfolge	Indikator D
Drücken Sie die PB-Programmiertaste (Abbildung 1)	leuchtet grün mit einem kurzen Blinken
Drücken Sie die Taste ■ auf der CB-Tastatur  (Drücken Sie die Taste ■ so oft wie nötig, um den gewünschten Betriebsmodus der an die Eingänge «PH» und «SE» angeschlossen Sicherheitseinrichtungen auszuwählen)	Leuchtet rot (selten):  einmal - STOP-Modus für den Eingang «PH» und 8,2 kOhm Widerstandssensor für den Eingang «SE» (Werkseinstellung)  zweimal - STOP-Modus für den Eingang «PH» und optoelektronischer Sensor für den Eingang «SE»  dreimal - Fotozellenmodus für den Eingang «PH» und 8,2 kOhm Widerstandssensor für den Eingang «SE»  viermal - Fotozellenmodus für den Eingang «PH» und optoelektronischer Sensor für den Eingang «SE»
Drücken Sie die PB-Programmiertaste  (oder wird die Steuereinheit in ~6 Sekunden den eingestellten Modus automatisch behalten)	Leuchtet grün (selten: Wartemodus der Steuereinheit)

## 6. EINSTELLUNG DER ARBEITSZEIT

Die Endlagen des Elektroantriebs müssen vor Beginn des Einstellvorgangs der Arbeitszeit eingestellt werden. Der Rollladenpanzer muss vollständig geschlossen sein.

Max. Arbeitszeit beträgt 100 Sekunden (Werkseinstellung).

Reihenfolge	Indikator D
Drücken Sie die PB-Programmiertaste (Abbildung 1)	leuchtet grün mit einem kurzen Blinken
Drücken Sie die Taste ▲ auf der CB-Tastatur	Leuchtet rot
Sobald der Panzer vollständig geöffnet ist, drücken Sie ■ auf der CB-Tastatur  (kann nach ~3 Sekunden nach dem vollständigen Öffnen gedrückt werden)	Innerhalb von ~2 Sekunden leuchtet oft grün → leuchtet selten grün (Wartemodus der Steuereinheit)



Wenn die Taste ■ innerhalb von 5 Sekunden nach dem vollständigen Öffnen nicht gedrückt wird, behält das Steuergerät die Werkseinstellung (100 Sekunden) bei.

## 7. EINLERNEN UND LÖSCHEN DER HANDSENDER (AT-1, AT-1S, AT-15, AT-15S, AT-4N u.a.)

Die Funkfernbedienung erfolgt über einen eingelernten Handsender:

für den **UBS**-Modus – Bedienung über drei Handsendertasten ▲, ■, ▼ - «Öffnen», «Stopp», «Schließen».

Für den **SBS**-Modus - Bedienung über eine Handsendertaste in der Reihenfolge «Öffnen-Stopp-Schließen-Stopp-Öffnen-....».



Es wird empfohlen, vor dem ersten Handsender-Einlernen die zuvor eingelernten Handsendercodes aus dem Speicher der Steuereinheit zu löschen.

Einlernen des Handsenders	Indikator D
Drücken Sie die PB-Programmiertaste (Abbildung 1)	leuchtet grün mit einem kurzen Blinken
Drücken Sie die Taste ▼ auf der CB-Tastatur  (Drücken Sie die Taste ▼ so oft wie nötig, um den gewünschten Betriebsmodus UBS oder SBS auszuwählen)	Leuchtet einmal rot - Betriebsmodus UBS Leuchtet zweimal rot - Betriebsmodus SBS (Werkseinstellung)
Drücken und lassen Sie die Handsendertaste los  (Für den Betriebsmodus UBS die Öffnungstaste drücken, andere Tasten werden automatisch eingestellt)	Leuchtet für ~2 Sekunden rot → leuchtet grün mit einem kurzen Doppelblinken
Drücken und lassen Sie dieselbe Handsendertaste los	Leuchtet für ~2 Sekunden rot → leuchtet selten grün (Wartemodus)



Wird beim Handsender-Einlernen jede nachfolgende Aktion innerhalb von 6 Sekunden nicht durchgeführt, wechselt die Steuereinheit in den Wartemodus (leuchtet selten grün). In diesem Fall wird der Handsender nicht eingelernt, und das Einlernen ist erneut durchzuführen.

Bei der Tastenumbelegung ist das Einlernen erneut durchzuführen.

Löschen von allen Handsendern	Indikator D
Halten Sie die PB-Programmiertaste für ~9 Sekunden gedrückt (Abbildung 1).	Leuchtet für ~9 Sekunden einige Male grün → Leuchtet einige Male rot → leuchtet rot
Lassen Sie die PB-Programmiertaste los	Leuchtet für ~2 Sekunden grün → leuchtet für ~3 Sekunden oft rot → leuchtet selten grün (Wartemodus der Steuereinheit)



Ist einer der Handsender verloren, müssen alle Handsender aus dem Speicher der Steuereinheit gelöscht und erneut eingelernt werden, um unbefugten Zugriff zu verhindern.

## 8. BETRIEB

Die jeweiligen Handsendertasten sind für das Öffnen, Stoppen und Schließen des Rollladensystems zuständig:

**UBS-Modus** – Bedienung über drei Handsendertasten ▲, ■, ▼ - «Öffnen», «Stopp», «Schließen».

**SBS-Modus** - Bedienung über eine Handsendertaste in der Reihenfolge «Öffnen - Stopp - Schließen - Stopp - Öffnen - ...».

Bei Auslösung der Sicherheitseinrichtung kann die Funkfernbedienung nicht verwendet werden. Damit der Rollladenpanzer im Notfall hoch- bzw. herunterfährt, verwenden Sie die Tasten am Gehäuse der Steuereinheit - die CB-Tastatur (Abbildung 1), die im Totmannbetrieb funktioniert.



**Der Betrieb von Rollladensystemen mit defekten Steuerungen und Sicherheitseinrichtungen ist VERBOTEN.**

**Der Einsatz des Produktes mit beschädigter Isolierung des Netzkabels ist VERBOTEN. Wenn das Netzkabel beschädigt ist, muss es vom Lieferanten ausgetauscht werden, um Gefahren zu vermeiden.**

**Das Produkt ist für die Verwendung durch Personen (einschließlich Kinder) mit eingeschränkter körperlicher, sensorischer oder geistiger Leistungsfähigkeit oder mangelnder Erfahrung oder Kenntnis nicht bestimmt, es sei denn, sie werden von einer für ihre Sicherheit verantwortlichen Person überwacht oder sind in die Verwendung des Produktes eingewiesen.**

**Kinder sollen von Erwachsenen überwacht werden, um das Spielen mit dem Produkt und seiner Funktion zu verhindern.**

**Trennen Sie bei Arbeiten (Montage, Reparatur, Fensterreinigung usw.) die Stromversorgung des Produktes.**

Vor dem Öffnen/Schließen des Rollladensystems ist sicherzustellen, dass sich keine Fremdkörper oder Personen im Bewegungsbereich des Rollladenpanzers befinden. Beobachten Sie bitte die Bewegung des Panzers und halten Sie Personen von dem Rollladensystem fern, bis es vollständig geschlossen ist. Berühren Sie keine beweglichen Teile des Rollladensystems.

Die Eigentümer und Betreiber des Produktes müssen über die Gefahren und Risiken sowie über seinen sicheren Betrieb und sichere Wartung unterrichtet werden.

Der Einsatz des zu reparierenden Produktes ist verboten.

### Signalgebung des Indikators D der Steuereinheit

Beschreibung	Indikator D
Die Steuereinheit funktioniert im Wartemodus	leuchtet grün mit einem kurzen Blinken
Panzerbewegung	leuchtet rot
Auslösung der Sicherheitseinrichtung bzw. Fehlen des eingelernten Handsenders	leuchtet für ~2 Sekunden oft rot
Die bei dem Einlernen nicht verwendete Handsendertaste wird gedrückt	Leuchtet für ~2 Sekunden oft grün

### Fehlfunktionen und Empfehlungen zu deren Behebung

Fehlfunktion	Möglicher Grund	Empfehlungen
Keine Anzeige der Steuereinheit, der Elektroantrieb funktioniert nicht	Keine Netzspannung, schlecht geklemmte Drähte in den Klemmen, Sicherung durchgebrannt	Überprüfen Sie die Netzspannung. Ziehen Sie die Drähte in den Klemmen fest. Überprüfen und ersetzen Sie die Sicherung, falls erforderlich (s. unten den Austauschvorgang von der Sicherung)
Die Steuereinheit wird angezeigt, der Antrieb dreht sich falsch	Fehler in den elektrischen Anschlüssen	Antriebsanschlüsse prüfen (siehe Kapitel 4)
Der Antrieb lässt sich über den Handsender nicht steuern (die Anzeige auf dem Handsender "leuchtet", und die Anzeige der Steuereinheit blinkt für ~2 Sekunden oft rot)	Die Sicherheitseinrichtung ist ausgelöst, oder der Handsender ist im Speicher der Steuereinheit nicht gespeichert	Überprüfen Sie die Funktion der Sicherheitseinrichtungen. Speichern Sie den Handsender in der Steuereinheit (siehe Kapitel 7)
Der Elektroantrieb lässt sich nicht steuern oder reagiert nicht, wenn die Sicherheitseinrichtungen ausgelöst werden	Falsche Auswahl der Einstellungen der Sicherheitseinrichtungen oder fehlerhafte Sicherheitseinrichtungen	Wählen Sie die angeschlossenen Sicherheitseinrichtungen in den Einstellungen aus (siehe Kapitel 5). Überprüfen Sie die Funktion der Sicherheitseinrichtungen, ersetzen Sie diese bei Bedarf
Der Elektroantrieb lässt sich über den Handsender nicht steuern (die Anzeige des Handsenders leuchtet nicht bzw. nicht ausreichend)	Die Knopfzelle des Handsenders ist entladen	Überprüfen Sie die Knopfzelle des Handsenders und ersetzen Sie diese bei Bedarf
Der Panzer stoppt nicht in den Endlagen	Die Endlagen sind nicht eingestellt oder sind verstellt. Falsche Einstellung der Betriebszeit	Die Endlagen des Elektroantriebs einstellen. Die Betriebszeit der Steuereinheit neu einstellen (siehe Kapitel 6)



Wenn ein Fehler auftritt, der mit den Informationen aus diesem Handbuch nicht behoben werden kann, wenden Sie sich bitte an den Kundendienst. Wenden Sie sich an den Lieferanten, um Informationen über den Kundendienst zu erhalten.

## Austauschvorgang von der Sicherung:

- Schalten Sie das Gerät aus.
- Entfernen Sie die Abdeckung der Steuereinheit (Abbildung 4).
- Öffnen Sie die Abdeckung des Sicherungshalters.
- Ersetzen Sie die defekte Sicherung durch eine ähnliche: F - 6,3A (Sicherung FU, Abbildung 1).
- Bringen Sie alle Elemente wieder an ihren Platz.

Die durchschnittliche Lebensdauer des Produktes beträgt 8 Jahre bei einer Arbeitsintensität von bis zu 30 Öffnungszyklen pro Tag. Nach Ablauf der festgelegten Nutzungsdauer ist es notwendig, sich an den Lieferanten zur Beurteilung einer weiteren Einsatzfähigkeit des Produktes zu wenden.

## 9. WARTUNG

Die Steuereinheit bedarf einer planmäßigen Wartung, um einen effizienten und sicheren Betrieb zu gewährleisten. Planmäßige Wartungsarbeiten müssen unter strikter Einhaltung der geltenden Vorschriften und unter Beachtung der Sicherheitsmaßnahmen durchgeführt werden. Planmäßige Wartungsarbeiten sind mindestens einmal im Jahr durchzuführen:

- Überprüfen Sie die Steuereinheit und Einzelzubehör (Kabel, Tasten, elektronische Komponenten usw.). Beschädigte Teile müssen ersetzt werden.
- Reinigen Sie die Außenflächen der Steuereinheit mit einem weichen, feuchten Tuch. Verwenden Sie zur Reinigung keine Wasserstrahlen, Hochdruckreiniger, Säuren oder Laugen.
- Überprüfen Sie die einwandfreie Funktion der Bedienelemente (Tasten der Steuereinheit, Handsender, optionale Bedienelemente).
- Überprüfen Sie, ob der angeschlossene Elektroantrieb ordnungsgemäß funktioniert.

Überprüfen Sie mindestens einmal alle sechs Monate die korrekte Funktion der angeschlossenen Sicherheits- und Alarmeinrichtungen.

## 10. LAGERUNG, TRANSPORT UND ENTSORGUNG

Das Produkt muss verpackt in geschlossenen, trockenen Räumen gelagert werden. Lassen Sie das Produkt von keinen Niederschlägen bzw. direkter Sonneneinstrahlung betroffen sein.

Lagerzeit - 2 Jahre ab Herstellungsdatum.

Alle Arten von überdachtem Landverkehr können für den Transport verwendet werden, mit Ausnahme von Stößen und Bewegungen innerhalb des Fahrzeugs.



Die Entsorgung erfolgt nach den im Land des Verbrauchers geltenden Verwertungs- und Entsorgungsvorschriften. Das Produkt enthält keine Edelmetalle und Stoffe, die für Leben, Gesundheit und Umwelt gefährlich sind.



Die Verpackung muss gemäß den geltenden Vorschriften entsorgt werden.

## 11. GEWÄHRLEISTUNGSVERPFLICHTUNG

1. Der Verkäufer garantiert die Arbeitsfähigkeit des Produktes bei der Einhaltung der Betriebsanleitung und bei der Montage von der vom Lieferanten bevollmächtigter Firma.

2. Alle Defekte, die während der Garantiedauer auf Herstellungs- oder Montagefehler zurückzuführen sind, werden vom Kundendienst der vom Lieferanten bevollmächtigenden Firma, der die Montage ausgeführt hat, behoben.

3. Produktgarantie gilt nicht bei:

- Verstoßen gegen Montagen- und Betriebsvorschriften;
- Montage, Einstellung, Reparatur, Neueinstellung oder Umbau des Produktes von den nicht vom Lieferanten bevollmächtigten Personen;
- Produktbeschädigung durch nicht stabile Stromversorgung oder kein Übereinstimmen der Stromnetzparameter mit den von dem Hersteller vorgegeben Werten;
- Höhere Gewalt (Feuer, Blitzschlag, Hochwasser, Erdbeben und andere Umweltkatastrophen);
- Defektenstehung durch Funktionsunfähigkeit des Rollladensystems;
- nicht vollständig ausgefüllten Feldern von Kapitel 12, 13 der gegebenen Betriebsanleitung.

**Anmerkung:** Die im Garantiefall ersetzten Teile sind Firmenbesitz des beauftragten Serviceunternehmens.

4. Garantiezeit beträgt 2 Jahre und zählt mit dem Datum der Installation.



## 12. PRODUKTINFORMATION

Es wird bei der Fertigung von Rollläden ausgefüllt.

Herstellungsnummer und Herstellungsdatum \_\_\_\_\_  
Daten des Produktetikettes

Information über Besteller (Benutzer) \_\_\_\_\_

Bezeichnung, Anschrift und Telefon des Bestellers (des Benutzers)

Information über den Hersteller (Montage-Firma) \_\_\_\_\_

Bezeichnung, Anschrift und Telefon des Herstellers (der Montage-Firma)

## 13. MONTAGEN - UND INSTALLATIONSBESTÄTIGUNG

Das Produkt ist laut aktuellen Anforderungen moniert, eingestellt und betriebsgeeignet.

Montagen-Datum \_\_\_\_\_  
TT,MM,JJJJ

Unterschrift des Verantwortlichen für die Montage \_\_\_\_\_  
Unterschrift, Stempel      Unterschriftwiedergabe

Unterschrift der Verantwortlichen für die Montag-  
annahme (Besteller) \_\_\_\_\_  
Unterschrift      Unterschriftwiedergabe

Der Hersteller (der Bevollmächtigte des Herstellers) behält sich das Recht vor, die in dieser Betriebsanleitung angegebenen Daten jederzeit zu ändern. Diese können im Einzelfall von der entsprechenden Version des Produktes abweichen, jedoch beeinflussen sie keine wesentlichen Funktionsinformationen, die gültig bleiben.

Aktuelle Betriebsanleitung, Konformitätsunterlagen (Zertifikate/Erklärungen) und weitere Informationen zum Produkt finden Sie unter [www.alutech-group.com](http://www.alutech-group.com)

### Hergestellt in China

ALUTECH SYSTEMS S.R.O.  
330 23, Czech Republic, Úherce 165  
Tel./ Fax: + 420 374 6340 01  
e-mail: [info@cz.alutech-group.com](mailto:info@cz.alutech-group.com)

### Bevollmächtigter Vertreter des Herstellers:



Hiermit erklärt ALUTECH, dass dieses Produkt mit den grundlegenden Anforderungen und anderen relevanten Vorschriften der Richtlinie 2014/53/EU übereinstimmt. Konformitätserklärung ist unter der Internetadresse [www.alute.ch/declaration](http://www.alute.ch/declaration) verfügbar

**ALUTECH**  
GROUP OF COMPANIES



Alutech Incorporated LLC  
Selizkogo str. 10-301  
220075 Minsk, Republik Belarus  
Tel. +375 (17) 345 81 52  
Fax +375 (17) 299 61 11  
[info@alutech.by](mailto:info@alutech.by)

## 1. INFORMATIONS GÉNÉRALES ET MESURES DE SÉCURITÉ

Avant l'installation, lire attentivement toutes les informations ci-dessous et suivre toutes les instructions fournies dans la notice. Conserver cette notice pour référence future.

Les modifications non autorisées du produit ou une utilisation incorrecte ne sont pas autorisées. L'utilisation prévue inclut le respect des règles de fonctionnement prescrites dans cette notice et des réglementations légales en vigueur dans la région d'installation.

Le produit n'est pas destiné à être utilisé et stocké dans des environnements acides, salins ou explosifs.

Lors de travaux (installation, réparation, maintenance, nettoyage, etc.), débrancher le produit du réseau électrique.



*Respecter les consignes de sécurité spécifiées dans les réglementations légales en vigueur dans la région où le produit est installé. Lors du fonctionnement avec fermeture automatique, il est nécessaire de respecter la norme EN 12453 pour les dispositifs de sécurité dans sa région d'utilisation. Le personnel qualifié doit s'assurer qu'après la mise en service d'un volet roulant, les normes en vigueur dans la région, par exemple, l'EN 13659 pour les volets roulants ou l'EN 12635 pour les portes sectionnelles, sont en vigueur.*

La commande radio n'est autorisée que dans les conditions d'installation dans lesquelles les interférences radio de l'émetteur ou le récepteur ne présentent aucun danger pour les personnes, les animaux ou les objets, ou le risque est évité par d'autres dispositifs de protection.



*Le contrôle à distance est associé à un risque de blessure et ne doit être effectué qu'avec une observation visuelle directe du mouvement du volet roulant.*

*La télécommande doit être gardée de manière à exclure toute activation accidentelle, y compris par des enfants ou des animaux.*

Le produit n'est pas protégé contre les interférences d'autres dispositifs radio (par exemple, les installations radio fonctionnant dans la même gamme de fréquences).

## 2. DESCRIPTION

Récepteur radio **CUR** (unité de contrôle) est conçue pour contrôler par les boutons du boîtier ou par des télécommandes **ALUTECH** les moteurs de volets roulants protégeant les ouvertures des fenêtres et des portes. Il est possible de connecter au produit des dispositifs de commande et de sécurité supplémentaires, tels que: des interrupteurs homme-mort, des interrupteurs à clé, des cellules photoélectriques, des barres palpeuses optiques et résistives.

## 3. CARACTÉRISTIQUES TECHNIQUES

Sélectionner de manière optimale le modèle du moteur électrique en fonction de la puissance du produit, conformément aux exigences des notices et recommandations d'**ALUTECH**. Pour tout information supplémentaire contacter le fournisseur.

### Spécifications du produit

Tension d'alimentation / fréquence du courant	~ 230V (+10%, -15%) / 50Hz
Consommation maximale en mode veille (sans dispositifs supplémentaires connectés)	1,5W
Puissance max du moteur	1500W
Alimentation de la lampe à clignotement	~ 230V / max 100W
Alimentation des dispositifs supplémentaires (accessoires)	12V courant continu/ max 100mA
Fréquence de fonctionnement de la commande radio	433,92MHz
Nombre de télécommandes enregistrées	250 pcs.
Indice de protection	IP54
Plage de températures	-20°C ... +50°C
Section des fils connectés à la tension	max. 2,5mm <sup>2</sup> (22-14AWG)
Section des fils des dispositifs supplémentaires	
Dimensions (l x H x P)	150 x 100 x 38 mm
Poids	Pas plus de 0,3 kg

*Les spécifications techniques indiquées font référence à une température ambiante de 20 ° C (± 5 ° C) et à une tension d'alimentation de 230V / 50Hz.*

## 4. MONTAGE ET CONNEXION

L'installation doit être effectuée conformément aux exigences suivantes et dans l'ordre indiqué dans la partie illustrative de la notice, voir page 2-3. Ces recommandations doivent être considérées à titre d'exemple, car l'endroit d'installation du produit et de ses composants peut être différent. La tâche de l'installateur est de choisir la solution la plus appropriée.

Connecter les dispositifs aux bornes de l'unité de contrôle conformément au schéma de câblage. (Figure 10).

Si le sens de rotation de l'arbre du moteur ne correspond pas à celui requis, déconnecter le réseau électrique et permuter le câblage aux bornes «L1» et «L2». (Figure 10).

Le site d'installation doit fournir une réception radio de haute qualité (il n'y a pas de surfaces blindées ni réfléchissantes, ni d'autres sources d'émission radio). La distance entre les unités de contrôle adjacentes est d'au moins 300 mm.

Il est interdit de connecter plusieurs moteurs électriques à l'unité de contrôle en parallèle.

Ne pas raccourcir ou étendre l'antenne.

Faire effectuer les travaux d'installation, de mise en service et de maintenance par un spécialiste compétent (conformément à la norme EN 12635 dans la région où il opère) conformément aux instructions de cette notice. Dans le même temps, il convient de respecter les exigences des normes EN 12604 et EN 12635, ainsi que les autres réglementations en vigueur dans leur région d'utilisation.



*L'installation, le câblage et la mise en service doivent être effectués par du personnel qualifié conformément aux lois en vigueur dans la région où le produit est en cours d'installation. Par exemple, les consignes de sécurité EN 60335-2-97 ou les directives d'installation de l'Association des ingénieurs allemands en électricité (VDE 0100). Le personnel qualifié doit s'assurer que, après la mise en service du volet roulant, les normes en vigueur dans la région, par exemple, la norme EN 13659 pour les volets roulants ou la norme EN 12635 pour les portails, sont en vigueur.*

Les paramètres des câbles électriques utilisés (section, nombre de fils, etc.) doivent être conformes au schéma de câblage, à la puissance du dispositif, à la distance d'installation, au mode d'installation et aux conditions externes.

Pendant l'utilisation du produit à l'extérieur, les câbles électriques doivent être placés dans des capots de protection spéciaux. Les câbles posés à travers une cloison métallique doivent être protégés et isolés.



*Utiliser le produit avec précaution lors de l'installation: protéger-le des chocs, des chutes ou du contact avec des liquides de tous types; Ne pas placer l'appareil à proximité de sources de chaleur ou à proximité d'une feu nue. Les situations décrites ci-dessus peuvent endommager le produit, provoquer des dysfonctionnements ou constituer un danger. Si l'une des situations décrites ci-dessus se produit, arrêter immédiatement l'assemblage et contacter le service client.*

Le produit doit être placé à la vue du volet roulant, à une distance de sécurité des pièces en mouvement, à une hauteur minimale de 1,5 m. Assurez-vous que les sites d'installation de la commande et des appareils supplémentaires (accessoires) sont protégés contre les impacts et que les surfaces d'installation sont suffisamment robustes.



**ATTENTION!** *Le réseau électrique doit être équipé d'une terre de protection. La zone du réseau électrique à laquelle le produit est connecté doit être équipée d'un dispositif de protection conforme aux lois en vigueur dans la région concernée. Connecter le fil de terre du moteur à la terre de protection du réseau électrique. La distance entre les bornes du dispositif de coupure est d'au moins 3 mm.*

Lors de travaux (installation, réparation, maintenance, nettoyage, etc.), débrancher le circuit d'alimentation. Si le commutateur qui éteint est hors de vue, fixer l'étiquette: «Ne pas allumer! Les gens travaillent» et prendre des mesures qui excluent la possibilité d'une alimentation électrique erronée.

### Connexion des dispositifs de contrôle

Pour le contrôle, les appareils avec «contact normalement ouvert» (Figures 10d, 10e) sont connectés aux bornes «SBS» et «GND» de la commande radio: boutons, interrupteurs, récepteurs radio externes, etc. Le contrôle s'effectue dans l'ordre suivant: «ouvert - stop - fermé - stop - ouvert - ...». Si plusieurs dispositifs de contrôle sont installés, ils doivent être connectés en parallèle.



*Ne pas appliquer de tension à la borne «SBS»!*

### Connexion des dispositifs de sécurité - cellules photoélectriques et interrupteur d'urgence



*Le choix des dispositifs de sécurité (la logique des entrées des connexions «PH» et «SE») dans les réglages de l'unité de contrôle (voir chapitre 6) doit correspondre aux types de dispositifs de sécurité connectés!*

Pour arrêter le tablier du volet roulant, en ouverture et en fermeture, des dispositifs à «contact normalement fermé» sont connectés aux bornes «PH» et «GND» (Figures 10a, 10f, 10g). Si plusieurs dispositifs sont installés, ils doivent être connectés en série.

Pour assurer la sécurité lors de la fermeture, les photocellules sont connectées (Figure 10a). Le circuit de sortie du récepteur (RX) doit être connecté aux bornes «PH» et «GND». Les chaînes d'alimentation du récepteur (RX) et de l'émetteur (TX) des photocellules sont connectées aux bornes «+ 12V» et «GND», dont la tension nominale est de 12V du courant continu. La valeur de courant maximale pour tous les appareils connectés aux bornes «+ 12V» et «GND» ne doit pas dépasser 100 mA.

Lors de la fermeture, l'activation des photocellules provoque l'arrêt du mouvement et le soulèvement complet ultérieur du tablier; l'activation répétée des photocellules provoque l'arrêt du mouvement du tablier. Lors de l'ouverture, l'activation des cellules photoélectriques provoque l'arrêt du tablier.

Si plusieurs paires de photocellules sont installées, elles doivent être connectées en série le long du circuit de sortie vers les bornes «PH» et «GND» et en parallèle le long du circuit d'alimentation aux bornes «+ 12V» et «GND».

Pour un arrêt d'urgence du tablier, lors de l'ouverture et de la fermeture, un interrupteur d'arrêt d'urgence et un parachute peuvent être connectés aux bornes «PH» et «GND» (Figures 10f, 10g). Si plusieurs dispositifs d'alarme sont installés, ils doivent être connectés en série.



*Si aucun appareil n'est connecté aux bornes «PH» et «GND», un strap doit être installé. Si des dispositifs de sécurité sont connectés aux bornes «PH» et «GND», retirer le strap.*

*Ne pas appliquer de tension à la borne «PH»!*

## Connexion de dispositifs de sécurité – barre palpeuse optique ou résistive

Pour assurer la sécurité lors de la fermeture de la baie (compression, pincement), le capteur de sécurité du tablier (barre palpeuse) est connecté à l'entrée «SE»: un capteur résistif de 8,2 kOhms (Figure 10c) ou un capteur optoélectronique / capteurs optoélectroniques du système OSE - Signal 12 (Figure 10b).

Lors de la fermeture, l'activation d'un capteur optoélectronique ou résistif provoque un arrêt du mouvement et le soulèvement complet du tablier.



*Si le capteur de sécurité de la barre palpeuse n'est pas connecté, une résistance de 8,2 kOhms  $\pm$  5% doit être connectée aux bornes «SE» et «GND» et le mode de fonctionnement avec capteur résistif est sélectionné dans les réglages du dispositif de sécurité (voir chapitre 5). Si le capteur de sécurité de la barre palpeuse est connecté, retirer la résistance.*

## Connexion des dispositifs de sécurité – lampe à clignotement

Pour signaler le mouvement du tablier un voyant clignotant (Figure 10) 230V / max est connecté aux bornes «FL» et «N». 100W, les témoins **ALUTECH** sont recommandés. La sortie de lumière clignotante fonctionne sans «mode clignotant».

## 5. SÉLECTION DES MODES DE TRAVAIL DES DISPOSITIFS DE SÉCURITÉ

Pour le fonctionnement des dispositifs de sécurité connectés aux entrées «PH» et «SE» (voir chapitre 4), il est nécessaire de sélectionner les modes de fonctionnement des entrées dans les réglages de l'unité de contrôle.

Séquence à suivre	Indicateur D
Appuyer le bouton de programmation PB (Figure 1)	allumé en vert avec un clignotement court clignote rarement en rouge:
Appuyer le bouton ■ du clavier CB  (Appuyer le bouton ■ le nombre de fois nécessaire pour sélectionner le mode de fonctionnement requis des dispositifs de sécurité connectés aux entrées «PH» et «SE»)	une fois - le mode STOP pour l'entrée «PH» et le capteur résistif de 8,2 kOhm pour l'entrée «SE» (réglages d'usine)  deux fois - le mode STOP pour l'entrée «PH» et le capteur optoélectronique OSE pour l'entrée «SE»  trois fois - mode cellule photoélectrique pour l'entrée «PH» et capteur résistif de 8,2 kOhms pour l'entrée «SE»  quatre fois - mode cellule photoélectrique pour l'entrée «PH» et capteur optoélectronique OSE pour l'entrée «SE»
Appuyer le bouton de programmation PB  (ou après environ 6 secondes, l'unité de contrôle mémorise automatiquement du mode de réglage)	clignote rarement en vert (mode de veille de l'unité de contrôle)

## 6. RÉGLAGE DU TEMPS DE TRAVAIL

Avant le début de la procédure de réglage du temps de travail, les fins de course du moteur doivent être définies. Le tablier doit être complètement fermée.

Le temps de travail maximum est de 100 secondes (réglage d'usine).

Séquence à suivre	Indicateur D
Appuyer le bouton de programmation PB (Figure 1)	allumé en vert avec un clignotement court
Appuyer le bouton ▲ du clavier CB	clignote en rouge
Après l'ouverture complète appuyer le bouton ■ du clavier CB (il est permis d'appuyer, par exemple, après environ 3 secondes après l'ouverture complète)	~2 secondes clignotements fréquents en vert → clignotements rares en vert (mode de veille de l'unité de commande)



*Si vous n'appuyez pas sur la touche dans les 5 secondes suivant l'ouverture complète, l'unité de commande conservera le réglage d'usine (100 secondes).*

## 7. ENREGISTREMENT ET SUPPRESSION DES COMMANDES RADIO (AT-1, AT-1S, AT-15, AT-15S, AT-4N, etc.)

Le contrôle de la commande radio enregistrée est effectué:

mode **UBS** – le contrôle des trois boutons ▲, ■, ▼ – «ouvrir», «arrêter», «fermer».

mode **SBS** commande d'un bouton de la commande radio dans l'ordre suivant: «ouvrir - arrêter - fermer - arrêter - ouvrir - ...».



*Avant le premier enregistrement des télécommandes il est recommandé d'effacer la mémoire de l'unité de commande des codes de télécommandes radio précédemment enregistrés.*

Enregistrement de la commande radio	Indicateur D
Appuyer le bouton de programmation PB (Figure 1)	allumé en vert avec un clignotement court
Appuyer le bouton ▼ du clavier CB (Appuyez le bouton ▼ le nombre de fois nécessaire pour sélectionner le mode de contrôle souhaité UBS ou SBS)	clignote une fois en rouge- mode de contrôle UBS clignote deux fois en rouge - mode de contrôle SBS (réglage d'usine)
Appuyer et relâcher le bouton de la commande radio (Pour le mode UBS - appuyer le bouton pour ouvrir, les autres boutons sont automatiquement attribués)	~ 2 secondes allumé en rouge → allumé en vert avec un double clignotement bref
Appuyer et relâcher le même bouton de la commande radio	~ 2 secondes allumé en rouge → allumé en vert clignotant rare (mode de veille)



*Si l'action suivante n'est pas exécutée pendant l'enregistrement de la commande radio pendant 6 secondes, l'unité de commande passe en mode veille (une lumière verte clignotante rare de son indicateur). La commande radio ne sera pas enregistrée et la procédure d'enregistrement doit être effectuée dès le début.*

Lors de la réaffectation du bouton de la commande radio il est nécessaire de repasser la procédure de l'enregistrement.

Suppression de toutes les commandes radio	Indicateur D
Appuyer et maintenir enfoncé (~ 9 secondes) le bouton de programmation PB (Figure 1)	~ 9 secondes clignote plusieurs fois en vert → plusieurs fois en rouge → allumé en rouge
Relâcher le bouton de programmation PB	allumé (~ 2 secondes) en vert → clignote rapidement (~ 3 secondes) en rouge → clignote rarement en vert (mode de veille)



*Si la commande radio est perdue, il est nécessaire d'effacer toutes les commandes radio de la mémoire de l'unité de commande, afin d'éviter toute saisie non autorisée.*

## 8. UTILISATION

Les boutons de commande radio correspondants sont responsables de l'ouverture, de l'arrêt et de la fermeture du volet roulant:

**UBS** – contrôle de trois boutons ▲, ■, ▼ «ouvrir», «arrêter», «fermer».

**SBS** - commande d'un bouton de la commande radio dans l'ordre: «ouvrir - arrêter - fermer - arrêter - ...».

Si le dispositif de sécurité a été activé, le contrôle à l'aide de la commande radio est impossible.

Pour soulever / abaisser le volet roulant en cas d'urgence, utiliser les boutons situés sur le corps de l'unité de commande - le clavier CB (Figure 1), fonctionnant en mode «homme mort».



**INTERDIT! Fonctionnement des volets roulants avec les éléments de contrôle et de sécurité défectueux.**

**INTERDIT! Utilisation du produit avec une isolation du câble d'alimentation endommagée. Si le câble d'alimentation est endommagé, le fournisseur doit le remplacer afin d'éviter tout danger.**

**Le produit n'est pas destiné à être utilisé par des personnes (y compris des enfants) ayant des capacités physiques, sensorielles ou mentales réduites, ou si elles n'ont aucune expérience de la vie ou aucune connaissance, si elles ne sont pas sous contrôle ou invité à utiliser le dispositif par une personne responsable de leur sécurité.**

**Les enfants doivent être surveillés par des adultes afin d'éviter de jouer avec le produit et sa gestion.**

**Lors de travaux (installation, réparation, lavage de fenêtres, etc.), débrancher l'alimentation électrique du produit.**

Avant d'ouvrir / fermer les volets, assurez-vous que des objets étrangers et des personnes ne se trouvent pas dans la zone de mouvement du volet roulant. Surveiller le mouvement du tablier. Ne pas laisser les gens aux volets tant qu'ils ne sont pas complètement fermés. Ne pas toucher les pièces mobiles du volet roulant.

Le propriétaire et les personnes qui utilisent le produit doivent être informés des dangers et des risques, ainsi que des règles d'utilisation et de maintenance en toute sécurité.

Ne pas utiliser le produit à réparer.

### Signalisation de l'indicateur D

Description	Indicateur D
L'unité de contrôle est en mode veille.	allumé en vert avec un clignotement court
Mouvement du tablier	allumé en rouge
Le dispositif de sécurité est activé ou la télécommande n'a pas été enregistrée.	~ 2 secondes clignotementt fréquent en rouge
Le bouton de commande radio non utilisé lors de l'enregistrement est appuyé	~ 2 secondes clignotementt fréquent en vert

### Défauts et conseils de dépannage

Défaut	Cause probable	Conseils
Aucune indication sur l'unité commande, le moteur ne fonctionne pas	Pas de tension dans le réseau, fils mal serrés dans les bornes, fusible grillé	Vérifier la tension du secteur. Serrer les fils dans les bornes. Vérifier et remplacer le fusible si nécessaire (voir la procédure de remplacement du fusible)
Il y a une indication de l'unité de commande, le moteur tourne mal	Erreur des connexions électriques	Vérifier le câblage du moteur (voir chapitre 4)
Le moteur électrique n'est pas contrôlé par la télécommande (le voyant de la console s'allume et le voyant de l'unité de commande clignote fréquemment en rouge pendant environ 2 secondes)	Le dispositif de sécurité ou la télécommande radio ne sont pas enregistrés dans la mémoire de l'unité de commande.	Vérifier le fonctionnement des dispositifs de sécurité. Enregistrer la télécommande dans la mémoire de l'unité de contrôle (voir chapitre 7).
Le moteur n'est pas contrôlé ou ne répond pas lorsque des dispositifs de sécurité sont activés.	Une sélection incorrecte dans les paramètres de dispositif de sécurité ou les dispositifs de sécurité sont défectueux.	Sélectionner les dispositifs de sécurité connectés dans les paramètres (voir chapitre 5). Vérifier les dispositifs de sécurité, les remplacer si nécessaire.
Le moteur n'est pas contrôlé par la commande radio (le voyant de la télécommande ne s'allume pas ou ne s'allume pas trop)	La pile de la télécommande est vide	Vérifier la pile de la télécommande radio, la remplacer si nécessaire.

Le tablier ne s'arrête pas dans les positions finales	Les positions de fin de course sont mal configurées. Mauvais réglage du temps de fonctionnement	Regler correctement les positions de fin de course. Réinitialiser le temps de fonctionnement de la commande radio (voir chapitre 6)
---	---	---



*En cas de panne ne pouvant pas être réparée à l'aide des informations contenues dans cette notice, contacter le service de maintenance. Pour plus d'informations sur le service, contacter le fournisseur.*

## Procédure de remplacement de fusible:

- Débrancher.
- Retirer la plaque du corps de la commande radio (Figure 4).
- Ouvrir la plaque du porte fusible.
- Remplacer le fusible défectueux par un autre: F – 6,3A (fusible FU, Figure 1).
- Mettre tous les objets en place.

La durée de vie moyenne du produit est de 8 ans avec une intensité de travail allant jusqu'à 30 cycles «ouverture-fermeture» par jour. À l'expiration de la durée de vie établie, il est nécessaire de contacter le fournisseur pour obtenir une conclusion sur l'admissibilité de l'utilisation ultérieure du produit.

## 9. SERVICE APRES-VENTE

L'unité de commande doit faire l'objet d'un entretien régulier pour assurer un fonctionnement efficace et sûr. La maintenance planifiée doit être effectuée en stricte conformité avec les documents réglementaires applicables et en conformité avec les mesures de sécurité. Entretien prévu au moins une fois par an:

- Vérifier les éléments de l'unité de contrôle et des composants (câbles, boutons, composants électroniques, etc). Les éléments endommagés doivent être remplacés.
- Nettoyer l'extérieur de l'unité de commande. Nettoyer avec un chiffon doux et humide. Il est interdit d'utiliser pour le nettoyage: jets d'eau, nettoyeurs de haute pression, acides ou bases.
- Vérifier le bon fonctionnement des éléments de commande (boutons, télécommandes, commandes radio en option).
- Vérifier que le moteur connecté fonctionne correctement.

Au moins une fois tous les six mois, vérifier le bon fonctionnement de chaque dispositif de sécurité et d'alarme connecté.

## 10. STOCKAGE, TRANSPORTATION ET ÉLIMINATION

Le stockage du produit doit être effectué sous forme emballée dans des locaux secs et fermés. Eviter tout impact des précipitations, de la lumière directe du soleil. Durée de vie - 2 ans à compter de la date de fabrication.

Le transport peut être effectué par tous les types de transport terrestre couvert, à l'exception des chocs et des mouvements à l'intérieur du véhicule.



L'élimination est effectuée conformément aux lois et réglementations en vigueur en matière de recyclage et d'élimination, dans le pays du consommateur. Le produit ne contient pas de métaux précieux ni de substances dangereuses pour la vie, la santé et l'environnement.



*Les emballages doivent être éliminés conformément à la réglementation en vigueur.*

## 11. GARANTIE

1. Le fournisseur garantit le fonctionnement du produit en respectant les règles de fonctionnement et lors de l'installation du produit par un installateur autorisé par le fournisseur.
2. Pendant la période de garantie, les défauts causés par la faute du fabricant, des organisations agréées par le fournisseur et autorisées par le fournisseur, sont éliminées par le fournisseur.
3. La garantie du produit ne s'applique pas dans les cas suivants:
  - Infraction aux règlements de l'installation, de l'utilisation du produit;
  - Installation, réglage, réparation, réinstallation ou modification du produit par des personnes non-autorisées par le fournisseur;
  - Endommagements du produits causes par un fonctionnement instable du réseau d'alimentation ou la non-conformité des paramètres d'alimentation avec les valeurs établies par le fournisseur;
  - Les cas de force majeure (incendies, éclaires, inondations, tremblements de terre et autre catastrophes naturelles);
  - Apparition des défauts dus au mauvais fonctionnement du volet roulant.
  - Champs incomplets des p.12, 13 de cette notice.

**Remarque:** les pièces remplacées sous garantie deviennent la propriété du fournisseur.

4. La période de garantie est de 2 ans et est calculée à partir de la date d'installation.

## 12. INFORMATIONS SUR LE PRODUIT

Rempli au moment de la fabrication des volets roulants. \_\_\_\_\_  
Informations de l'étiquette du produit

Informations sur le client \_\_\_\_\_

\_\_\_\_\_ nom, adresse et numéro de téléphone du client

Informations sur le fournisseur (entreprise d'installation) \_\_\_\_\_

\_\_\_\_\_ nom, adresse et numéro de téléphone du fournisseur (installateur)

## 13. CERTIFICAT D'INSTALLATION ET DE REGLAGE

Le produit est assemblé et configuré conformément aux exigences établies et jugé apte à être utilisé.

Date d'installation

\_\_\_\_\_ date, mois, année

Signature de la personne responsable de  
l'installation

\_\_\_\_\_ signature, tampon

\_\_\_\_\_ déchiffrage de la signature

Signature de la personne qui a validé  
l'installation (client)

\_\_\_\_\_ signature

\_\_\_\_\_ déchiffrage de la signature

Le fabricant (le représentant autorisé du fabricant) se réserve le droit de modifier à tout moment les données spécifiées dans le présent mode d'emploi. Dans un cas séparé, elles peuvent différer de la version correspondante du produit. Toutefois, les informations fonctionnelles ne subiront aucune modification importante et ne deviendront pas invalides.

Vous trouverez la notice actuelle, les documents relatifs à la confirmation de conformité (certificats / déclarations) et d'autres informations relatives au produit sur le site - [www.alutech-group.com](http://www.alutech-group.com)

**Fabriqué en Chine**

**Représentant autorisé dans l'UE:**

ALUTECH SYSTEMS S.R.O.  
330 23, Czech Republic, Úherce 165  
Tel./ Fax: + 420 374 6340 01  
e-mail: [info@cz.alutech-group.com](mailto:info@cz.alutech-group.com)



Le Groupe ALUTECH déclare que ce produit est conforme aux exigences essentielles et aux autres conditions pertinentes de la Directive 2014/53/UE.  
La Déclaration de conformité est disponible sur le site Internet [www.alutech.ch/declaration](http://www.alutech.ch/declaration)

**ALUTECH**   
GROUP OF COMPANIES

Alutech Incorporated LLC  
10-301, rue Selitskovo  
220075, Minsk, Biélorussie  
Tél. +375 (17) 345 81 52  
Fax +375 (17) 299 61 11  
[info@alutech.by](mailto:info@alutech.by)



## 1. PRZEPISY OGÓLNE I ŚRODKI BEZPIECZEŃSTWA

Przed rozpoczęciem montażu dokładnie przeczytaj wszystkie poniższe informacje i postępuj zgodnie ze wszystkimi instrukcjami. Zachowaj tę instrukcję na przyszłość.

Treść instrukcji nie może stanowić podstawy do roszczeń prawnych.

Nieautoryzowane zmiany w produkcie lub niewłaściwe użycie są niedozwolone. Użytkowanie zgodne z przeznaczeniem obejmuje przestrzeganie zalecanych zasad działania zawartych w niniejszej instrukcji oraz przepisów prawnych w zakresie instalacji.

Produkt nie jest przeznaczony do użytku i przechowywania w kwaśnej, zasolonej lub wybuchowej atmosferze.

Podczas wykonywania prac (instalacja, naprawa, konserwacja, czyszczenie itp.) odłącz urządzenie od sieci elektrycznej.



*Postępuj zgodnie z zasadami bezpieczeństwa określonymi w dokumentach prawnych obowiązujących w regionie, w którym produkt jest zainstalowany. Podczas pracy z automatycznym zamykaniem należy przestrzegać normy EN 12453 dla urządzeń bezpieczeństwa w regionie działania. Wykwalifikowany personel musi dopilnować, aby po uruchomieniu systemu rolet spełniane były obowiązujące w regionie normy, takie jak EN 13659 dla rolet lub EN 12635 dla bram.*

Kontrola radiowa jest dozwolona tylko w warunkach instalacji, w których interferencja radiowa w nadajniku lub odbiorniku nie powoduje zagrożenia dla ludzi, zwierząt lub przedmiotów, lub zagrożeniu temu zapobiegają inne urządzenia ochronne.



*Zdalne sterowanie wiąże się z ryzykiem zranienia i powinno być wykonywane wyłącznie z bezpośrednią wizualną obserwacją ruchu zwijanego pancerza.*

*Pilot musi być przechowywany w sposób uniemożliwiający przypadkowe uruchomienie, w tym przez dzieci lub zwierzęta.*

Produkt nie jest chroniony przed zakłóceniami ze strony innych urządzeń radiowych (na przykład instalacji radiowych działających w tym samym zakresie częstotliwości).

## 2. OPIS

Odbiornik radiowy **CUR** (jednostka sterująca) jest przeznaczony do sterowania przyciskami na obudowie lub za pomocą pilotów **ALUTECH** (pilotów zdalnego sterowania) silników elektrycznych do systemów rolet zewnętrznych, drzwi i bram garażowych. Do produktu można podłączyć dodatkowe urządzenia sterujące i bezpieczeństwa, takie jak: stacyjki kluczykowe, wyłączniki, fotokomórki, optyczne i rezystancyjne listwy bezpieczeństwa

## 3. DANE TECHNICZNE

Zoptymalizuj wybór modelu napędu elektrycznego w zależności od potrzebnej mocy produktu, zgodnie z wymaganiami i zaleceniami instrukcji **ALUTECH**. W razie potrzeby skontaktuj się z dostawcą w celu uzyskania porady.

### Specyfikacja produktu

Napięcie zasilania / częstotliwość prądu	~ 230V (+10%, -15%) / 50Hz
Maksymalny pobór mocy w trybie czuwania (bez podłączonych dodatkowych urządzeń)	1,5W
Maksymalna moc napędu elektrycznego	1500W
Moc lampy ostrzegawczej	~ 230V / max 100W
Zasilanie dodatkowych urządzeń (akcesoria)	12V DC / max 100mA
Częstotliwość radiowa	433,92MHz
Liczba możliwych do zapisania nadajników radiowych	250 szt.
Stopień ochrony elektrycznej	IP54
Zakres temperatur pracy	-20°C ... +50°C
Przekrój podłączonych przewodów z napięciem sieciowym	max 2,5mm <sup>2</sup> (22-14AWG)
Przekrój podłączonych przewodów dodatkowych urządzeń	
Waga	nie więcej niż 0,3 kg

Podane specyfikacje dotyczą temperatury otoczenia wynoszącej 20°C (±5°C) i napięcia zasilania 230V/50Hz.

## 4. INSTALACJA I PODŁĄCZENIE

Instalacja powinna być przeprowadzona w zgodzie z następującymi wymaganiami i w kolejności wskazanej w części zilustrowanej w tej instrukcji, patrz strony 2-3. Instrukcje te należy traktować jako przykład, ponieważ miejsce instalacji produktu i jego komponentów może się różnić. Zadaniem instalatora jest wybranie najbardziej odpowiedniego rozwiązania. Podłączyć urządzenia do zacisków jednostki sterującej zgodnie ze schematem połączeń (rysunek 10).

Jeśli kierunek obrotu wału napędu elektrycznego nie jest zgodny z żądanym, odłącz sieć zasilającą i zamień przewody połączeniowe na zaciskach «L1» i «L2» (rysunek 10).

Miejsce instalacji powinno zapewniać odbiór sygnału radiowego wysokiej jakości (nie ma ekranujących i odbijających powierzchni, innych źródeł emisji radiowej). Odległość między sąsiednimi jednostkami sterującymi wynosi co najmniej 300 mm.

Niedopuszczalne jest równoległe podłączenie kilku napędów elektrycznych do jednostki sterującej.

Nie skracaj ani nie przedłużaj anteny.

Zlecaj prace instalacyjne, rozruchowe i konserwacyjne kompetentnym specjalistom (zgodnie z EN 12635, w regionie, w którym działa) zgodnie z wytycznymi tej instrukcji. Jednocześnie należy przestrzegać wymagań norm EN 12604 i EN 12635 oraz innych przepisów prawnych w regionie ich działania.



*Instalacja, podłączenie i uruchomienie muszą być wykonywane przez wykwalifikowany personel zgodnie z aktami prawnymi regionu, w którym produkt jest zainstalowany. Na przykład instrukcje bezpieczeństwa EN 60335-2-97 lub zasady instalacji Stowarzyszenia Niemieckich Inżynierów Elektryków (VDE 0100). Wykwalifikowany personel musi upewnić się, że po uruchomieniu systemu rolet, spełnia on normy obowiązujące w regionie, na przykład EN 13659 dla rolet lub EN 12635 dla bram.*

Parametry zastosowanych kabli elektrycznych (przekrój, liczba przewodów itp.) muszą odpowiadać schematowi połączeń, mocy urządzenia, odległości rozmieszczenia, metodzie rozmieszczenia i warunkom środowiskowym.

Podczas używania produktu na zewnątrz kable elektryczne należy poprowadzić w specjalnych osłonach ochronnych. Kable ułożone przez metalową przegrodę muszą być odpowiednio chronione i izolowane.



*Podczas instalacji obchodź się z produktem ostrożnie: chroń go przed wstrząsami, upadkiem lub kontaktem z płynami dowolnego rodzaju; nie umieszczaj urządzenia w pobliżu źródeł ciepła ani w pobliżu otwartego ognia. Sytuacje opisane powyżej mogą spowodować uszkodzenie produktu, awarie lub niebezpieczeństwo. W przypadku wystąpienia jednej z opisanych powyżej sytuacji należy natychmiast przerwać montaż i skontaktować się z serwisem Dostawcy.*

Produkt musi znajdować się w zasięgu widoczności rolet, w bezpiecznej odległości od ruchomych części, na wysokości co najmniej 1,5 m. Upewnij się, że miejsca instalacji jednostki sterującej i dodatkowych urządzeń (akcesoriów) są chronione przed uderzeniami, a powierzchnia instalacji jest wystarczająco mocna.



*UWAGA! Sieć elektryczna musi być wyposażona w uzziemienie ochronne. Sieć elektryczna, do której podłączony jest produkt, musi być wyposażona w urządzenie zabezpieczające zgodnie z aktami prawnymi obowiązującymi w tym regionie. Podłącz przewód uzziemienia napędu do uzziemienia ochronnego sieci elektrycznej. Odległość między stykami urządzenia sterującego wynosi co najmniej 3 mm.*

Podczas wykonywania jakichkolwiek prac (instalacja, naprawa, konserwacja, czyszczenie itp.) Należy odłączyć obwód zasilania. Jeśli urządzenie odłączające zasilanie jest niewidoczne, dołącz znak: «Nie włączaj! Ludzie pracują» i podejmij środki wykluczające możliwość błędnego podania napięcia.

### Podłączenie urządzeń sterujących

Dla sterowania, do zacisków «SBS» i «GND» jednostki sterującej, podłączone są urządzenia z «normalnie otwartym stykiem» (rysunki 10d, 10e): przyciski, przełączniki, odbiorniki zewnętrzne itp. Sterowanie odbywa się krok-po-kroku w kolejności: «otwórz - stop - zamknij - stop - otwórz - ...». Jeśli zainstalowanych jest kilka urządzeń sterujących, należy je połączyć równoległe.



*UWAGA! Niedozwolone jest podłączenie napięcia zasilającego na zacisku «SBS»!*

### Podłączenie urządzeń bezpieczeństwa - fotokomórki i wyłącznika awaryjnego



*Wybór urządzeń bezpieczeństwa (logika działania wejść połączeń «PH» i «SE») w ustawieniach centrali (patrz rozdział 6) musi odpowiadać podłączonym typom urządzeń bezpieczeństwa!*

Aby zatrzymać roletę podczas otwierania i zamykania, urządzenia ze «stykiem normalnie zamkniętym» są podłączone do zacisków «PH» i «GND» (rysunki 10a, 10f, 10g). Jeśli zainstalowanych jest wiele urządzeń, należy je połączyć szeregowo.

Aby zapewnić bezpieczeństwo należy podłączyć fotokomórki działające podczas zamykania (rysunek 10a). Obwód wyjściowy odbiornika (RX) należy podłączyć do zacisków «PH» i «GND». Obwody zasilania odbiornika (RX) i nadajnika (TX) fotokomórek są podłączone do zacisków «+12V» i «GND», których napięcie znamionowe wynosi 12V DC. Maksymalna wartość prądu dla wszystkich urządzeń podłączonych do zacisków «+12V» i «GND» nie może przekraczać 100mA.

Podczas zamykania uruchomienie fotokomórek zatrzymuje ruch, a następnie uruchamia całkowite podniesienie pancerza, powtórne uruchomienie fotokomórek zatrzymuje ruch pancerza. Podczas otwierania uruchomienie fotokomórek powoduje zatrzymanie ruchu pancerza.

Jeżeli zainstalowanych jest kilka par fotokomórek, należy je połączyć szeregowo przez obwód wyjściowy z zaciskami «PH» i «GND» i równolegle przez obwód zasilający do zacisków «+ 12V» i «GND».

W celu awaryjnego zatrzymania pancerza podczas otwierania i zamykania można podłączyć wyłącznik awaryjny i hamulec bezwładnościowy do zacisków «PH» i «GND» (rysunki 10f, 10g). Jeśli zainstalowanych jest kilka urządzeń awaryjnych, należy je połączyć szeregowo.



Jeśli żadne urządzenia nie są podłączone do zacisków «PH» i «GND», należy zainstalować zwórkę NC. Jeśli urządzenia zabezpieczające są podłączone do zacisków «PH» i «GND», usuń zwórkę.  
Nie podłączaj napięcia do zacisku «PH»!

### Podłączenie urządzeń bezpieczeństwa - optyczne lub rezystancyjne listwy bezpieczeństwa

Aby zapewnić bezpieczeństwo podczas zamykania otworu (zasuwania), instalowany jest czujnik bezpieczeństwa dolnej krawędzi pancerza (listwa krawędziowa) jest podłączony do wejścia «SE»: czujnik rezystancyjny 8,2 kΩ (rysunek 10c) lub czujnik optoelektroniczny / czujnik optyczny OSE - Signal 12 (rysunek 10b).

Podczas zamykania pancerza działanie czujnika optoelektronicznego lub rezystancyjnego powoduje zatrzymanie ruchu, a następnie całkowite podniesienie pancerza.



Jeżeli czujnik bezpieczeństwa dolnej krawędzi nie jest podłączony, rezystor 8,2 kΩ ± 5% należy podłączyć do zacisków «SE» i «GND», a tryb pracy z czujnikiem rezystancyjnym wybiera się w ustawieniach urządzeń bezpieczeństwa (patrz rozdział 5). Jeśli podłączony jest czujnik bezpieczeństwa dolnej krawędzi, wyjmij rezystor.

### Podłączenie urządzeń bezpieczeństwa - lampa sygnalizacyjna

Aby zasignalizować ruch pancerza, do zacisków «FL» i «N» podłączona jest lampa błyskowa (rysunek 10) 230V/maks. 100W, zalecane są lampy ostrzegawcze **ALUTECH**. Wyjście światła działa bez «trybu migania».

## 5. WYBÓR TRYBÓW PRACY URZĄDZEŃ BEZPIECZEŃSTWA

W celu obsługi urządzeń bezpieczeństwa podłączonych do wejść «PH» i «SE» (patrz rozdział 4) konieczne jest dokonanie wyboru wejściowych trybów pracy w ustawieniach jednostki sterującej.

Sekwencja działań	Wskaźnik D
Naciśnij przycisk programowania PB (rysunek 1)	świeci na zielono z krótkim mrugnięciem
Naciśnij przycisk ■ na klawiaturze CB  (Naciśnij przycisk ■ wymaganą liczbę razy, aby wybrać wymagany tryb pracy podłączonych urządzeń bezpieczeństwa do wejść «PH» i «SE»)	powoli miga na czerwono:  jeden raz - tryb STOP dla wejścia «PH» i czujnika rezystancyjnego 8,2k Ohm dla wejścia «SE» (ustawienie fabryczne)  dwa razy - tryb STOP dla wejścia «PH» i czujnika optoelektronicznego OSE dla wejścia «SE»  trzykrotnie - tryb fotokomórki dla wejścia «PH» i czujnika rezystancyjnego 8,2k Ohm dla wejścia «SE»  czterokrotnie - tryb fotokomórki dla wejścia «PH» i czujnika optoelektronicznego OSE dla wejścia «SE»
Naciśnij przycisk programowania PB  (lub po ~ 6 sekundach jednostka sterująca automatycznie zapamięta ustawiony tryb)	rzadko miga na zielono (tryb czuwania jednostki sterującej)

## 6. USTAWIANIE CZASU PRACY

Przed rozpoczęciem procedury ustawiania czasu pracy należy ustawić pozycje krańcowe napędu elektrycznego. Płótno powinno być całkowicie zamknięte.

Maksymalny czas pracy wynosi 100 sekund (ustawienie fabryczne).

Sekwencja działań	Wskaźnik D
Naciśnij przycisk programowania PB (rysunek 1)	świeci na zielono z krótkim mrugnięciem
Naciśnij przycisk ▲ na klawiaturze CB	miga na czerwono
Po pełnym otwarciu naciśnij przycisk ■ na klawiaturze CB (można nacisnąć, na przykład ~ 3 sekundy po pełnym otwarciu)	~ 2 sekundy, częste miganie na zielono → czerwone miganie na zielono (tryb gotowości centrali)



Jeśli przycisk ■ nie zostanie naciśnięty w ciągu 5 sekund po pełnym otwarciu, jednostka sterująca zapisze ustawienie fabryczne (100 sekund).

## 7. REJESTRACJA I USUWANIE PILOTÓW RADIOWYCH (AT-1, AT-1S, AT-15, AT-15S, AT-4N itp.)

Zasada sterowania z już zaprogramowanego pilota radiowego:

dla trybu UBS - sterowanie trzema przyciskami pilota radiowego odpowiednio ▲, ■, ▼ - «otwórz», «stop», «zamknij».

w trybie SBS steruje jednym przyciskiem pilota radiowego w trybie krok-po-kroku w sekwencji: «otwórz - stop - zamknij - stop - otwórz - ...».



Zaleca się, aby przed pierwszym programowaniem sterowania bezprzewodowego, wyczyścić pamięć jednostki sterującej z wcześniej zapamiętanych kodów radiowych.

Dodanie nowego pilota radiowego	Wskaźnik D
Naciśnij przycisk programowania PB (rysunek 1)	świeci na zielono z krótkim mrugnięciem
Naciśnij przycisk ▼ na klawiaturze CB  (Naciśnij przycisk ▼ tyle razy, ile to konieczne, aby wybrać żądany tryb sterowania UBS lub SBS)	miga raz na czerwono - tryb sterowania UBS  dwukrotnie miga na czerwono - Tryb sterowania SBS (ustawienie fabryczne)
Naciśnij i zwolnij przycisk opcji  (W trybie UBS - naciśnij przycisk przeznaczony do otwarcia, inne przyciski są przypisywane automatycznie)	~ 2 sekundy świeci na czerwono —świeci na zielono z krótkim podwójnym miganiem
Naciśnij i zwolnij ten sam przycisk opcji	~ 2 sekundy na czerwono —powoli miga na zielono (tryb gotowości)



Jeśli podczas dodania nowego pilota radiowego nie zostanie wykonana następująca czynność w ciągu 6 sekund, jednostka sterująca przejdzie w tryb gotowości (rzadkie miganie wskaźnika jednostki sterującej na zielono). Pilot radiowy nie zostanie zaprogramowany i należy wykonać ją ponownie.

Podczas zmiany przycisku sterującego na pilocie w trybie SBS należy ponownie przeprowadzić procedurę programowania.

Usuń wszystkie elementy sterowania radiem	Wskaźnik D
Naciśnij i przytrzymaj (~ 9 sekund) przycisk programowania PB (rysunek 1)	~ 9 sekund miga kilka razy na zielono → kilka razy na czerwono → świeci na czerwono
Zwolnij przycisk programowania PB	świeci (~ 2 sekundy) na zielono → miga często (~ 3 sekundy) na czerwono → rzadko miga na zielono (tryb gotowości centrali)



W przypadku zagubienia pilota radiowego, aby zapobiec nieautoryzowanemu dostępowi, konieczne jest usunięcie wszystkich pilotów radiowych z pamięci jednostki sterującej i ich ponowne zaprogramowanie.

## 8. DZIAŁANIE

Odpowiednie przyciski pilota radiowego są odpowiedzialne za otwieranie, zatrzymywanie, zamykanie systemu rolet:

**UBS** - sterowanie trzema przyciskami pilota radiowego odpowiednio ▲, ■, ▼ - «otwórz», «stop», «zamknij».

**SBS** – Tryb krok-po-kroku, sterowanie jednym przyciskiem pilota radiowego w sekwencji: «otwórz - stop - zamknij - stop - ...».

Jeśli zadziałało urządzenie bezpieczeństwa, sterowanie radiowe jest nie aktywne. Do awaryjnego podnoszenia/opuszczania rolety służą wówczas przyciski na korpusie jednostki sterującej - klawiatura CB (*rysunek 1*), która działa w trybie „martwej ręki” czyli tylko wtedy kiedy przycisk jest przytrzymany.



**ZABRONIONE! Obsługa systemów rolet z wadliwymi elementami sterującymi oraz bezpieczeństwa.**

**ZABRONIONE! Używać produkt z uszkodzoną izolacją przewodu zasilającego. Jeśli przewód zasilający jest uszkodzony, musi zostać wymieniony przez dostawcę, aby uniknąć niebezpieczeństwa.**

**Produkt nie jest przeznaczony do użytku przez osoby (w tym dzieci) o ograniczonych zdolnościach fizycznych, sensorycznych lub umysłowych, lub bez ich doświadczenia życiowego lub wiedzy, jeżeli nie są one kontrolowane lub instruowane w sprawie użytkowania urządzenia przez osobę odpowiedzialną za ich bezpieczeństwo.**

**Dzieci muszą być pod nadzorem dorosłych, aby zapobiec zabawie z produktem i jego obsługą.**

**Podczas wykonywania prac (instalacja, naprawa, mycie okien itp.) Wyłącz zasilanie produktu.**

Przed otwarciem/zamknięciem rolet upewnij się, że ciała obce i ludzie nie znajdują się w strefie ruchu rolety. Obserwuj ruch pancerza. Nie pozwól ludziom ani zwierzętom przechodzić pod osłoną w ruchu, dopóki nie zostaną one całkowicie zamknięte lub otwarta. Nie dotykaj ruchomych części rolet.

Właściciel i osoby obsługujące produkt powinny zostać pouczone o istniejących zagrożeniach oraz o zasadach bezpiecznej obsługi i konserwacji. Zabrania się nieautoryzowanej naprawy produktu.

### Sygnaly wskaźnika D w jednostce sterującej

Opis	Wskaźnik D
Jednostka sterująca jest w normalnym trybie gotowości	świeci na zielono z krótkim mrugnięciem
Ruch płótna	świeci na czerwono
Zadziałało urządzenie zabezpieczające lub radio nie zostało zarejestrowane	~ 2 sekundy, częste miganie na czerwono
Użyty przycisk radiowy nie jest zarejestrowany	~ 2 sekundy, częste miganie na zielono

### Usterki i zalecenia dotyczące ich eliminacji

Awaria	Prawdopodobna przyczyna	Rekomendacje
Brak informacji wskaźnika jednostki sterującej, napęd elektryczny nie działa	W sieci nie ma napięcia, przewody w zaciskach są słabo zacisnięte, bezpiecznik jest przepalony	Sprawdź napięcie sieciowe. Poprawić przewody w zaciskach. Sprawdź i w razie potrzeby wymień bezpiecznik (patrz procedura wymiany bezpieczników)
Wskazano jednostkę sterującą, napęd elektryczny obraca się nieprawidłowo	Błąd w połączeniach elektrycznych	Sprawdź połączenia napędu (patrz rozdział 4)
Napęd elektryczny nie jest sterowany pilotem radiowym (wskaźnik na pilocie „świeci się”, a wskaźnik jednostki sterującej ~ 2 sekundy często miga na czerwono)	Zadziałało urządzenie zabezpieczające lub pilot radiowy nie jest zapisany w pamięci jednostki sterującej	Sprawdź działanie urządzeń zabezpieczających. Zapisz nadajnik w pamięci centrali (patrz rozdział 7)
Napęd nie jest sterowany lub nie reaguje na wyzwolenie urządzeń bezpieczeństwa	Nieprawidłowy wybór w ustawieniach urządzenia zabezpieczającego lub urządzenie zabezpieczające uszkodzone	Wybierz podłączone urządzenia bezpieczeństwa w ustawieniach (patrz sekcja 5). Sprawdź działanie urządzeń bezpieczeństwa; w razie potrzeby wymień je
Napęd elektryczny nie jest sterowany pilotem radiowym (wskaźnik na pilocie nie świeci się lub nie świeci jasno)	Niski poziom naładowania baterii pilota	Sprawdź baterię pilota radiowego; w razie potrzeby wymień ją
Płótno nie zatrzymuje się w pozycjach końcowych	Pozycje końcowe silnika nie są skonfigurowane albo zostały utracone. Nieprawidłowe ustawienie czasu pracy.	Dostosuj położenia końcowe napędu. Zresetować czas pracy jednostki sterującej (patrz rozdział 6)



W przypadku usterek, które nie można rozwiązać za pomocą informacji zawartych w niniejszej instrukcji, należy skontaktować się z serwisem technicznym. Aby uzyskać informacje serwisowe, skontaktuj się z dostawcą.

## Procedura wymiany bezpiecznika:

- Wyłącz zasilanie.
- Zdejmij pokrywę jednostki sterującej (rysunek 4).
- Otwórz pokrywę uchwytu bezpiecznika.
- Wymień uszkodzony bezpiecznik na podobny: F - 6,3 A (bezpiecznik FU, rysunek 1).
- Zainstaluj wszystkie elementy z powrotem.

Średni okres użytkowania produktu wynosi 8 lat z intensywnością do 30 cykli «otwarcia-zamknięcia» dziennie. Po upływie określonego okresu użytkowania należy skontaktować się z Dostawcą, aby uzyskać wniosek w sprawie dopuszczalności dalszego działania produktu.

## 9. OBSŁUGA

Jednostka sterująca musi zostać poddana planowej konserwacji, aby zapewnić wydajną i bezpieczną pracę. Zaplanowane czynności konserwacyjne należy przeprowadzać ściśle zgodnie z obowiązującymi dokumentami regulacyjnymi i środkami bezpieczeństwa. Wykonuj zaplanowaną konserwację co najmniej raz w roku:

- Sprawdź elementy jednostki sterującej i komponentów (kable, przyciski, elementy elektroniczne itp.). Uszkodzone elementy należy wymienić.
- Oczyszczyć zewnętrzną stronę skrzynki sterującej. Czyść miękką, wilgotną szmatką. Zabrania się używania do czyszczenia: strumieni wody, myjek wysokociśnieniowych, kwasów lub zasad.
- Sprawdź poprawność działania elementów sterujących (przycisków jednostki sterującej, pilotów radiowych, dodatkowych urządzeń sterujących).
- Sprawdź, czy podłączony napęd działa poprawnie.

Co najmniej raz na sześć miesięcy sprawdź poprawność działania każdego podłączonego urządzenia bezpieczeństwa i alarmu.

## 10. PRZECHOWYWANIE, TRANSPORT I UTYLIZACJA

Przechowywanie produktu powinno odbywać się w zapakowanej formie w zamkniętych, suchych pomieszczeniach. Nie dopuścić do narażenia na opady, bezpośrednie działanie promieni słonecznych.

Okres trwałości - 2 lata od daty produkcji.

Transport może odbywać się wszystkimi rodzajami naziemnego transportu wewnętrznego, z wyjątkiem wstrząsu i ruchu wewnątrz pojazdu.



Usuwanie odbywa się zgodnie z aktami prawnymi dotyczącymi przetwarzania i usuwania obowiązującymi w kraju konsumenta. Produkt nie zawiera metali szlachetnych i substancji niebezpiecznych dla życia, zdrowia ludzi i środowiska.



Opakowanie należy zutylizować zgodnie z obowiązującymi przepisami.

## 11. GWARANCJA

1. Dostawca gwarantuje funkcjonalność produktu zgodnie z zasadami jego działania i podczas instalacji produktu przez organizację instalacyjną upoważnioną przez Dostawcę.

2. W okresie gwarancyjnym awarie wynikające z winy Producenta upoważnionego przez organizację Dostawcy, która przeprowadziła instalację produktu, są eliminowane przez Dostawcę.

3. Gwarancja na produkt nie ma zastosowania w przypadkach:

- naruszenie zasad instalacji, działania produktu i niewłaściwego użytkowania;
- instalacja, regulacja, naprawa, ponowna instalacja lub modyfikacja produktu przez osoby nieupoważnione przez Dostawcę;
- uszkodzenie produktu spowodowane niestabilnym działaniem sieci zasilającej lub niezgodnością parametrów zasilania z wartościami ustalonymi przez producenta;
- działania siły wyższej (pożary, uderzenia pioruna, powódzie, trzęsienia ziemi i inne klęski żywiołowe);
- występowanie usterek i usterek spowodowanych niesprawnością systemów rolet.
- Niekompletne wypełnione pola w punktach 12, 13 niniejszego podręcznika.

**Uwaga:** Części wymienione w ramach gwarancji stają się własnością Dostawcy.

4. Okres gwarancji wynosi 2 lata i jest liczony od daty instalacji.

## 12. DANE PRODUKTU

Numer seryjny i data produkcji \_\_\_\_\_  
dane na etykiecie produktu

Informacje o kliencie (konsumentcie) \_\_\_\_\_

\_\_\_\_\_  
nazwa, adres i numer telefonu klienta (konsumenta)

Informacje o dostawcy (firmie instalującej) \_\_\_\_\_

\_\_\_\_\_  
nazwa, adres i numer telefonu dostawcy (firmy instalacyjnej)

## 13. CERTYFIKAT INSTALACJI I USTAWIENIA

Produkt jest zamontowany i skonfigurowany zgodnie z ustalonymi wymaganiami i uznany za odpowiedni do użycia.

Data instalacji \_\_\_\_\_  
dzień, miesiąc, rok

Podpis osoby odpowiedzialnej za instalację \_\_\_\_\_  
podpis, pieczęć                      imię i nazwisko

Podpis osoby, która zaakceptowała instalację (klient) \_\_\_\_\_  
podpis                                      imię i nazwisko

Producent (upoważniony przedstawiciel producenta) zastrzega sobie prawo do zmiany danych określonych w niniejszej instrukcji w dowolnym momencie. W konkretnym przypadku mogą różnić się od odpowiedniej wersji produktu, jednak informacje funkcjonalne nie ulegną znaczącym zmianom i nie staną się nieważne.

Aktualna instrukcja obsługi, dokumenty potwierdzające zgodność (certyfikaty/deklaracje) i inne informacje o produkcji można znaleźć na stronie internetowej - [www.alutech-group.com](http://www.alutech-group.com)

### Wyprodukowano w Chinach

#### Upoważniony przedstawiciel w UE:

ALUTECH SYSTEMS S.R.O.  
330 23, Czech Republic, Úherce 165  
Tel./ Fax: + 420 374 6340 01  
e-mail: [info@cz.alutech-group.com](mailto:info@cz.alutech-group.com)



Niniejszym firma ALUTECH oświadcza, że ten produkt jest zgodny z zasadniczymi wymaganiami i innymi odpowiednimi postanowieniami dyrektywy 2014/53/UE. Deklaracja zgodności jest dostępna na stronie [www.alutech.ch/declaration](http://www.alutech.ch/declaration)

**ALUTECH**  
GROUP OF COMPANIES 

Alutech Incorporated LLC  
10-301 Selitsky Street  
220075, WSE «Minsk», Republika Białoruś  
Tel. +375 (17) 345 81 52 / Fax +375 (17) 299 61 11  
[info@alutech.by](mailto:info@alutech.by)

## 1. ЗАГАЛЬНІ ПОЛОЖЕННЯ І ЗАХОДИ БЕЗПЕКИ

Перед початком монтажу уважно вивчіть всю наведену нижче інформацію і дотримуйтесь вказівок інструкції. Зберігайте цю інструкцію для подальшого використання.

Зміст інструкції не може бути підставою для юридичних претензій.

Не допускається внесення несанкціонованих змін у виріб або використання не за призначенням. Використання за призначенням включає в себе дотримання прописаних правил експлуатації в даній інструкції та правових норм в регіоні установки.

Виріб не призначений для використання і зберігання в кислотному, солоному або вибухонебезпечному середовищі.

При проведенні робіт (монтаж, ремонт, обслуговування, очищення і т. ін.) відключіть виріб від електричної мережі.



*Дотримуйтесь правил безпеки, регламентовані діючими в регіоні установки виробу нормативно-правовими документами. При експлуатації з автоматичним закриттям необхідно дотримуватись стандарту EN 12453 з пристроїв безпеки, в регіоні його дії. Кваліфікований персонал повинен забезпечити відповідність після запуску в експлуатацію ролетної системи стандартам, що діють в даному регіоні, наприклад, стандартам EN 13659 для ролет або EN 12635 для воріт.*

Установка радіокерування допускається тільки для таких умов, в яких радіоперешкоди в передавачі або приймачі не викликають небезпеку для людей, тварин або предметів, або ризик попереджується іншими захисними пристроями.



*Дистанційне керування пов'язане з ризиком травми і має виконуватись тільки при безпосередньому візуальному спостереженні руху ролетного полотна.*

*Пульт дистанційного керування повинен зберігатися таким чином, щоб виключити випадкове включення, в тому числі, дітьми або тваринами.*

Виріб не має захисту від перешкод інших радіоприладів (наприклад, радіоустановок, що працюють в тому ж частотному діапазоні).

## 2. ОПИС

Радіоприймач **CUR** (блок керування) призначений для керування кнопками на корпусі або за допомогою пультів дистанційного керування **АЛЮТЕХ** (радіопультів) електродвигунами ролетних систем, встановлених на віконні, дверні та воротні проєми. До виробу можливе підключення додаткових пристроїв керування і безпеки, таких як: клавішні вимикачі, замкові вимикачі, фотоелементи, оптичні і резистивні кромки безпеки.

## 3. ТЕХНІЧНІ ХАРАКТЕРИСТИКИ

Оптимально підбирайте модель електродвигуна в залежності від потужності виробу, відповідно до вимог інструкцій і рекомендацій **АЛЮТЕХ**. При необхідності зверніться до Постачальника для консультації.

### Технічні характеристики виробу

Напруга живлення / Частота струму	~ 230В (+10%, -15%) / 50Гц
Максимальна споживча потужність у режимі очікування (без підключених додаткових пристроїв)	1,5Вт
Максимальна потужність електродвигуна	1500Вт
Живлення пробліскові лампи	~ 230В / макс. 100Вт
Живлення додаткових пристроїв (аксесуари)	12В постійного струму / макс. 100mA
Робоча частота радіокерування	433,92МГц
Кількість записуваних радіопультів	250 штук
Ступінь захисту оболонки	IP54
Діапазон робочих температур	-20°C ... +50°C
Переріз дротів для підключення з мережевою напругою живлення	макс. 2,5мм <sup>2</sup> (22-14AWG)
Переріз дротів для підключення додаткових пристроїв	
Габаритні розміри (Д x Ш x В)	150 x 100 x 38мм
Вага	не більш як 0,3кг

Наведені технічні характеристики відносяться до температури навколишнього середовища 20°C (± 5 °C) і напрузі живлення 230В / 50Гц.



## 4. МОНТАЖ І ПІДКЛЮЧЕННЯ

Монтаж виконати відповідно нижче зазначених вимог і в порядку, зазначеному в ілюстраційній частині інструкції, див. стор. 2-3.

Наведені ілюстрації необхідно розглядати як приклад, так як місце установки виробу і його компонентів може відрізнятися. Завдання монтажника обрати найбільш відповідне рішення.

Підключення пристроїв до клем блоку керування виконати відповідно до схеми підключень (Малюнок 10).

Якщо напрямок обертання вихідного валу електродвигуна не збігається з необхідним, вимкніть електричну мережу і поміняйте місцями дроти підключення на клеммах «L1» і «L2» (Малюнок 10).

Місце установки повинне забезпечувати якісний прийом радіосигналу (відсутні екрануючі та відображаючі поверхні, інші джерела радіовипромінювання). Відстань між сусідніми блоками керування не менше 300мм.

Не допускається паралельно підключати кілька електродвигунів до блоку керування.

Не зменшуйте і не збільшуйте антену.

Доручити виконання робіт по монтажу, введення в експлуатацію та технічному обслуговуванню компетентному фахівцю (згідно стандарту EN 12635, в регіоні його дії) відповідно до вказівок даної інструкції. При цьому слід дотримуватися вимог стандартів EN 12604 і EN 12635 та інших нормативно-правових актів в регіоні їх дії.



*Монтаж, підключення і запуск в експлуатацію повинні виконуватися кваліфікованим персоналом відповідно до нормативно-правових актів регіону, де проводиться установка виробу. Наприклад, інструкції з безпеки EN 60335-2-97 або правил монтажу Асоціації німецьких інженерів-електриків (VDE 0100). Кваліфікований персонал повинен забезпечити відповідність після запуску в експлуатацію ролевної системи стандартів, що діють в даному регіоні, наприклад, стандарту EN 13659 для ролет або EN 12635 для воріт.*

Параметри електричних дротів для застосування (переріз, кількість та ін.) повинні відповідати схемі підключення, потужності пристроїв, відстані та способу прокладання, зовнішніх умов.

При використанні виробу зовні (на вулиці) електричні дроти повинні бути проведені в спеціальних захисних кожухах. Дроти, прокладені через металеву перегородку, повинні бути захищені і ізовані.



*Дбайливо використовуйте прилад під час його установки: бережіть від удару, падіння або контакту з рідною будь-якого типу; не монтуйте прилад поблизу джерел тепла і не кладіть поруч з відкритим вогнем. Описані вище ситуації можуть призвести до пошкодження, викликати збої або привести до небезпеки. Якщо станеться одна з описаних вище ситуацій, негайно припиніть зборку і зверніться в сервісну службу Постачальника.*

Виріб має бути розташований в межах видимості ролевої, на безпечній відстані від рухомих частин, на висоті не менше 1,5 м. Переконайтеся, що місця установки блоку керування і додаткових пристроїв (аксесуари) захищені від ударів і поверхні для установки досить міцні.



*УВАГА! Електрична мережа повинна бути обладнана захисним заземленням. Ділянка електричної мережі, до якої підключається виріб, повинна бути обладнана пристроєм захисту відповідно до нормативно-правових актів в даному регіоні. З'єднайте заземлення електродвигуна з захисним заземленням електричної мережі. Відстань між клемми в пристрої відключення не менше 3 мм.*

При проведенні будь-яких робіт (монтаж, ремонт, обслуговування, чистка та т. п.) відключіть напругу. Якщо комутаційний апарат, що викликає напругу, знаходиться поза зоною видимості, то прикріпіть табличку: «Не вмикати! Працюють люди» і прийміть заходи, що виключають можливість помилкової подачі напруги.

### Підключення пристроїв керування

До клем «SBS» і «GND» блоку керування підключаються пристрої з «нормально-відкритим контактом» (Малюнки 10d, 10e): кнопки, вимикачі, зовнішні радіоприймачі тощо. Керування здійснюється в послідовності: «відкрити - стоп - закрити - стоп - відкрити - ...». Якщо встановлено кілька пристроїв керування, то вони повинні бути підключені паралельно.



*Не допускається подача напруги на клему «SBS»!*

### Підключення пристроїв безпеки - фотоелементів і аварійного вимикача



*Вибір пристроїв безпеки (логіка роботи входів підключень «PH» і «SE») в налаштуваннях блоку керування (див. Розділ 6) повинен відповідати підключеним типам пристроїв безпеки!*

Для зупинки ролевого полотна при відкриванні та закриванні до клем «PH» і «GND» підключаються пристрої з «нормально-закритим контактом» (Малюнки 10a, 10f, 10g). Якщо встановлено кілька пристроїв, то вони повинні бути підключені послідовно.

Для забезпечення безпеки при закритті підключаються фотоелементи (Малюнок 10a). Вихідний ланцюг приймача (RX) повинен бути підключеним до клем «PH» і «GND». Ланцюги живлення приймача (RX) і передавача (TX) фотоелементів підключаються до клем «+ 12V» і «GND», номінальна напруга на яких 12В постійного струму. Максимальне значення струму для всіх підключених до клем «+ 12V» і «GND» пристроїв не повинно перевищувати 100mA.

Під час закриття, спрацювують фотоелементи викликаючи зупинку руху і подальше повне підняття полотна, повторне спрацювання фотоелементів викликає зупинку руху полотна. Під час відкриття, спрацювання фотоелементів викликає зупинку руху полотна.

Якщо встановлено кілька пар фотоелементів, то вони повинні бути з'єднані один з одним послідовно за вихідний ланцюг до клем «PH» і «GND» і паралельно по ланцюгу живлення до клем «+ 12V» і «GND».

Для аварійної зупинки полотна при відкритті і закритті до клем «PH» і «GND» можуть бути підключені аварійний вимикач, інерційне гальмо (Малюнки 10f, 10g). Якщо встановлено кілька аварійних пристроїв, то вони повинні бути з'єднані один з одним послідовно.



*Якщо до клем «PH» і «GND» ніякі пристрої не підключені, то повинна бути встановлена перемичка. Якщо до клем «PH» і «GND» підключені пристрої безпеки, то видаліть перемичку. Не допускається подача напруги на клему «PH»!*

### Підключення пристроїв безпеки - оптичної або резистивної кромки безпеки

Для забезпечення безпеки при закритті отвору (стискання, здавлювання) до входу «SE» підключається датчик безпеки нижньої кромки полотна (система чутливий край): резистивний датчик 8,2кОм (Малюнок 10с) або оптоелектронний датчик/оптосенсори системи OSE - Signal 12 (Малюнок 10b).

Під час закриття полотна, спрацює оптоелектронний або резистивний датчик, що викликає зупинку руху і подальше повне підняття полотна.



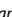

*Якщо датчик безпеки нижньої кромки не підключений, то до клем «SE» і «GND» повинен бути підключений резистор 8,2кОм  $\pm$  5% і в налаштуваннях пристроїв безпеки обраний режим роботи з резистивним датчиком (див. розділ 5). Якщо датчик безпеки нижньої кромки підключений, видаліть резистор.*

### Підключення пристроїв безпеки - сигнальної лампи

Для сигналізації про рух полотна до клем «FL» і «N» підключається пробліскові лампа (Малюнок 10) 230В / макс. 100Вт, рекомендується сигнальні лампи АЛЮТЕХ. Вихід пробліскової лампи працює без «режиму мигання».

## 5. ВИБІР РЕЖИМІВ РОБОТИ ПРИСТРОЇВ БЕЗПЕКИ

Для роботи підключених до входів «PH» і «SE» пристроїв безпеки (див. розділ 4) необхідно в налаштуваннях блоку керування зробити вибір режимів роботи входів.

Послідовність дій	Індикатор D
Натиснути кнопку програмування PB (Малюнок 1)	горить зеленим з коротким миганням
Натиснути кнопку  на клавіатурі CB (Натиснути  потрібну кількість разів для вибору необхідного режиму роботи підключених пристроїв безпеки до входів «PH» і «SE»)	рідко мигає червоним: одноразово - режим СТОП для входу «PH» і резистивний датчик 8,2кОм для входу «SE» (Заводська установка) дворазово - режим СТОП для входу «PH» і оптоелектронний датчик OSE для входу «SE» триразово - режим фотоелементи для входу «PH» і резистивний датчик 8,2кОм для входу «SE» чотириразово - режим фотоелементи для входу «PH» і оптоелектронний датчик OSE для входу «SE»
Натиснути кнопку програмування PB (Або через ~ 6 секунд блок керування автоматично запам'ятає встановлений режим)	рідко мигає зеленим (режим очікування блоку керування)

## 6. ВСТАНОВЛЕННЯ РОБОЧОГО ЧАСУ

До початку процедури установки робочого часу повинні бути налаштовані кінцеві положення електродвигуна. Положно має бути повністю закриті.

Максимальний робочий час - 100 секунд (заводська установка).

Послідовність дій	Індикатор D
Натиснути кнопку програмування PB (Малюнок 1)	горить зеленим з коротким миганням
Натиснути кнопку ▲ на клавіатурі СВ	мигає червоним
Після повного відкриття натиснути ■ на клавіатурі СВ (Допускається натиснути, наприклад, через ~ 3 секунди після повного відкриття)	~ 2 секунди часте мигання зеленим → рідкісне мигання зеленим (режим очікування блоку керування)



Якщо протягом 5 секунд після повного відкриття не натиснута ■, то блок керування збереже заводську установку (100 секунд).

## 7. ЗАПИС І ВИДАЛЕННЯ РАДІОПУЛЬТІВ (АТ-1, АТ-1S, АТ-1S, АТ-15S, АТ-4N та інші)

Керування з записаного радіопульта здійснюється:

для режиму **UBS** - керування трьома кнопками радіопульта ▲, ■, ▼ відповідно - «відкрити», «стоп», «закрити».

для режиму **SBS** - керування однією кнопкою радіопульта в послідовності: «відкрити - стоп - закрити - стоп-відкрити-...».

Керування з записаного радіопульта здійснюється:



Рекомендується перед першим записом радіопультів, очистити пам'ять блоку керування від записаних раніше кодів радіопультів.

Запис радіопульта	Індикатор D
Натиснути кнопку програмування PB (Малюнок 1)	горить зеленим з коротким миганням
Натиснути кнопку ▼ на клавіатурі СВ (Натиснути ▼ потрібну кількість разів для вибору необхідного режиму керування UBS або SBS)	блимає червоним один раз - режим керування UBS блимає червоним два рази - режим керування SBS (Заводська установка)
Натиснути і відпустити кнопку радіопульта (Для режиму UBS - натиснути кнопку призначену для відкриття, інші кнопки призначаються автоматично)	~ 2 секунди горить червоним → горить зеленим з коротким подвійним миганням
Натиснути і відпустити ту ж кнопку радіопульта	~ 2 секунди горить червоним → рідкісне мигання зеленим (режим очікування)



Якщо під час запису радіопульта протягом 6 секунд не буде виконано такі дії, то блок керування перейде в режим очікування (рідкісне мигання зеленим кольором індикатора блоку керування). Радіопульт записаний не буде і процедуру запису необхідно виконати спочатку.

При перепризначення кнопки радіопульта необхідно заново виконати процедуру запису.

Видалення всіх радіопультів	Індикатор D
Натиснути і утримувати (~ 9 секунд) кнопку програмування PB (Малюнок 1)	~ 9 секунд блимає кілька разів зеленим → кілька разів червоним → горить червоним
Відпустити кнопку програмування PB	горить (~ 2 секунди) зеленим → часто блимає (~ 3 секунди) червоним → рідкісне мигання зеленим (режим очікування блоку керування)



Якщо радіопульт загублений, щоб уникнути несанкціонованого проникнення, необхідно видалити всі радіопультів з пам'яті блоку керування і заново їх записати.

## 8. ЕКСПЛУАТАЦІЯ

Відповідні кнопки радіопульта відповідають за відкриття, зупинку, закриття роletної системи:

UBS - керування трьома кнопками радіопульта ▲, ■, ▼ відповідно – «відкрити», «стоп», «закрити».

SBS - керування однією кнопкою радіопульта в послідовності: «відкрити - стоп - закрити - стоп - ...».

Якщо спрацював пристрій безпеки керування за допомогою радіопульта неможливо. Для аварійного підняття / опускання роletного полотна використовуйте кнопки на корпусі блоку керування - клавіатуру СВ (Малюнок 1), що працює в режимі «мертвої руки».



**ЗАБОРОНЯЄТЬСЯ!** експлуатація роletних систем з несправними елементами керування, безпеки.

**ЗАБОРОНЯЄТЬСЯ!** використовувати виріб з пошкодженою ізоляцією шнура живлення. При пошкодженні кабелю живлення його заміну, щоб уникнути небезпеки, повинен виробляти Постаачальник.

**Виріб не призначений для використання особами (включаючи дітей) зі зниженими фізичними, чуттєвими або розумовими здібностями, або при відсутності у них життєвого досвіду або знань, якщо вони не знаходяться під контролем або НЕ проінструктовані про використання виробу особою, відповідальною за їх безпеку.**

**Діти повинні перебувати під контролем дорослих для недопущення гри з приладом і його керуванням.**

**При проведенні робіт (монтаж, ремонт, миття вікон і т.п.) відключіть електроживлення приладу.**

Перед відкриттям / закриттям роleti переконайтеся в тому, що сторонні предмети і люди не перебувають в зоні руху роletного полотна. Спостерігайте за рухом полотна. Не допускайте людей до роletт до їх повного закриття. Не торкайтеся до рухомих частин роleti.

Власник і особи, які експлуатують виріб, повинні бути проінструктовані про існуючі небезпеки і ризики, про правила безпечної експлуатації і обслуговування.

Не допускається використовувати виріб, що підлягає ремонту.

### Сигналізація індикатора D блоку керування

Опис	Індикатор D
Блок керування працює в режимі очікування	горить зеленим з коротким миганням
Рух полотна	горить червоним
Спрацював пристрій безпеки або не збережено радіопульта	~ 2 секунди часте мигання червоним
Натиснута кнопка радіопульта не використана при записі	~ 2 секунди часте мигання зеленим

### Несправності і рекомендації по їх усуненню

Несправність	Ймовірна причина	Рекомендації
Немає індикації блоку керування, електродвигун не працює	Відсутня напруга в мережі, погано затиснуті дроти в клеммах, перегорів запобіжник	Перевірте напругу в мережі. Затисніть дроти в клеммах. Перевірте і замініть, якщо буде потреба, запобіжник (див. Порядок заміни запобіжника)
Є індикація блоку керування, електродвигун обертається невірно	Помилка в електричних підключеннях	Перевірте підключення електродвигуна (див. розділ 4)
Електродвигун не керується радіопультом (індикатор на пульті «загоряється», а індикатор блоку керування ~ 2 секунди часто блимає червоним)	Спрацював пристрій безпеки або радіопульт немає у ваших пам'ять блоку керування	Перевірте роботу пристроїв безпеки. Запишіть радіопульт в пам'ять блоку керування (див. розділ 7)
Електропривод не керується або не реагує при спрацюванні пристроїв безпеки	Неправильний вибір в налаштуваннях пристроїв безпеки або пристрої безпеки несправні	Виберіть в налаштуваннях підключення пристрою безпеки (див. розділ 5). Перевірте працездатність пристроїв безпеки, при необхідності замініть їх
Електродвигун не керується від радіопульта (індикатор на пульті не світиться або горить не яскраво)	Батарейка радіопульта розряджена	Перевірте батарейку радіопульта, при необхідності, замініть її
Полотно не зупиняється в кінцевих положеннях	Кінцеві положення не налаштовані або збилися. Неправильне встановлення часу роботи	Налаштуйте кінцеві положення електродвигуна. Переінстальуйте час роботи блоку керування (див. розділ 6)



У разі виникнення несправності, яка не може бути усунена з використанням інформації з даного керівництва, необхідно звернутися в сервісну службу. За інформацією про сервісну службу зверніться до Постачальника.

### Порядок заміни запобіжника:

- Відключити живлення.
- Зняти кришку блоку керування (Малюнок 4).
- Відкрити кришку тримача запобіжника.
- Замінити запобіжник, що вийшов з ладу на: F - 6,3A (запобіжник FU, Малюнок 1).
- Встановити всі елементи на місце.

Середній термін служби виробу 8 років при інтенсивності роботи до 30 циклів «відкриття-закриття» в добу. Після закінчення встановленого терміну служби необхідно звернутися до Постачальника для отримання висновку про допустимість подальшої експлуатації виробу.

## 9. ОБСЛУГОВУВАННЯ

Блок керування потрібно піддавати плановому обслуговуванню для гарантії ефективної та безпечної роботи. Планове обслуговування слід проводити в точній відповідності з чинними нормативними документами з дотриманням заходів безпеки. Планове обслуговування проводьте не менш як один раз на рік:

- Перевірте елементи блока керування і компонентів (кабелі, кнопки, електронні елементи та ін.). Пошкоджені елементи повинні бути замінені.
- Очистіть зовнішні поверхні блока керування. Очищення проводьте за допомогою м'якої вологої тканини. Заборонено застосовувати для чищення: водяні струмені, очисники високого тиску, кислоти та луги.
- Перевірте належну дію елементів керування (кнопки блока керування, пульти радіопультів, додаткові пристрої керування).
- Перевірте правильність роботи підключеного електродвигуна.

Не рідше як один раз на шість місяців перевіряйте правильність роботи кожного підключеного пристрою безпеки і сигналізації.

## 10. ЗБЕРІГАННЯ, ТРАНСПОРТУВАННЯ І УТИЛІЗАЦІЯ

Зберігання виробу повинно здійснюватися в упакованому вигляді в закритих сухих приміщеннях. Не можна допускати впливу атмосферних опадів, прямих сонячних променів.

Термін зберігання - 2 роки з дати виготовлення.

Транспортування може здійснюватися всіма видами критого наземного транспорту з виключенням ударів і переміщення усередині транспортного засобу.



Утилізацію слід виконувати відповідно до нормативних і правових актів щодо переробки й утилізації, що діють у країні споживача. Виріб не містить дорогоцінних металів і речовин, які становлять небезпеку для життя, здоров'я людей та навколишнього середовища.



Упаковка повинна бути утилізована відповідно до чинних норм.

## 11. ГАРАНТІЙНІ ЗОБОВ'ЯЗАННЯ

1. Постачальник гарантує працездатність виробу при дотриманні правил його експлуатації і при виконанні установок монтажною організацією, уповноваженою Постачальником.

2. Протягом гарантійного терміну дефекти, що виникли з вини Виробника, вповноваженої Постачальником організації яка монтувала прилад, усуваються Постачальником.

3. Гарантія на виріб не поширюється у випадках:

- порушення правил монтажу, експлуатації виробу і використання не за призначенням;
- монтажу, налагодження, ремонту, переустановлення або переробки виробу особами, не уповноваженими Постачальником;
- пошкоджень виробу, викликаних нестабільною роботою електромережі або невідповідністю параметрів електромережі значенням, встановленим Виробником;
- форс-мажор (пожежі, удари блискавки, повені, землетруси та інші стихійні лиха);
- виникнення несправностей і дефектів, обумовлених непрацездатністю ролетних систем.
- в повному обсязі заповнених полів п.12, 13 цього керівництва.

**Примітка:** замінені по гарантії деталі стають власністю Постачальника.

4. Гарантійний термін складає 2 роки і обчислюється з дати монтажу.

UA

## 12. ДАНІ ПРО ВИРІБ

Заповнюється в момент виготовлення рошетних систем.

Заводський номер та дата виготовлення \_\_\_\_\_  
дані з етикетки виробу

Відомості про замовника (споживача) \_\_\_\_\_

найменування, адреса і телефон замовника (споживача)

Відомості про постачальника (монтажної організації) \_\_\_\_\_

найменування, адреса і телефон постачальника (монтажної організації)

## 13. СВІДОЦТВО ПРО МОНТАЖ І НАЛАДКУ

Виріб змонтовано і налаштовано відповідно до встановлених вимог і визнано придатним для експлуатації.

Дата монтажу \_\_\_\_\_  
число, місяць, рік

Підпис особи, відповідальної за монтаж \_\_\_\_\_  
підпис, МП розшифрування підпису

Підпис особи, що прийняла монтаж (замовник) \_\_\_\_\_  
підпис розшифрування підпису

Виробник (уповноважений представник виробника) залишає за собою право вносити зміни в дані, зазначені в даній інструкції з експлуатації в будь-який час. В окремому випадку вони можуть відрізнятися від відповідної версії виробу, проте функціональна інформація не зазнає істотних змін і не стане недейсною.

Актуальна інструкція по експлуатації, документи про підтвердження відповідності (сертифікати/декларації) та іншу інформацію про виріб ви можете знайти на сайті - [www.alutech-group.com](http://www.alutech-group.com)

### Зроблено в Китаї

ZHEJIANG HILAND TECHNOLOGY CO., LTD.  
UNIONGENE BIOLOGICAL INDUSTRIAL PARK, YONGJUN ROAD 128, DIPU, TOWN, ANJI,  
HUZHOU, ZHEJIANG, CHINA 313000  
БИОЛОГІЧНИЙ ІНДУСТРІАЛЬНИЙ ПАРК ЮНІОНГЕН, ЙОНГЧЖАН РОУД 128, МІСТО  
ДАЙПУ, АНЖИ, ХУЧЖОУ, ЧЖЕЦЗЯН, КИТАЙ 313000

### Виробник:

### Імпортер в Україні / Уповноважений представник в Україні:

ТОВ «Алютех-К»  
07400, Україна, Київська обл.  
м. Бровари, вул. Оникієнка, 61  
тел. +380 (44) 451 83 65



**ALUTECH**  
GROUP OF COMPANIES

ТОВ «Алютех Інкорпорейтед»  
220075, Республіка Білорусь, ВЕЗ «Мінськ»  
вул. Селіцького 10- 301  
Тел. +375 (17) 345 81 52  
Факс +375 (17) 299 61 11  
[info@alutech.by](mailto:info@alutech.by)



Alutech Incorporated LLC  
10 Selitskogo str. off 301  
220075 FEZ "Minsk"  
Republic of Belarus  
Tel. +375 (17) 345 81 52  
Fax +375 (17) 299 61 11  
[www.alutech-group.com](http://www.alutech-group.com)  
[info@alutech.by](mailto:info@alutech.by)